

EOS LED LAMP

- ◊ AC Driver-On-Board Technology
- ◊ Multiple Mounting Options
- ◊ Data Per NVLAP Accredited Laboratory
- ◊ Electronic Dimming (see page 112)
- ◊ 5 Year Limited Warranty*



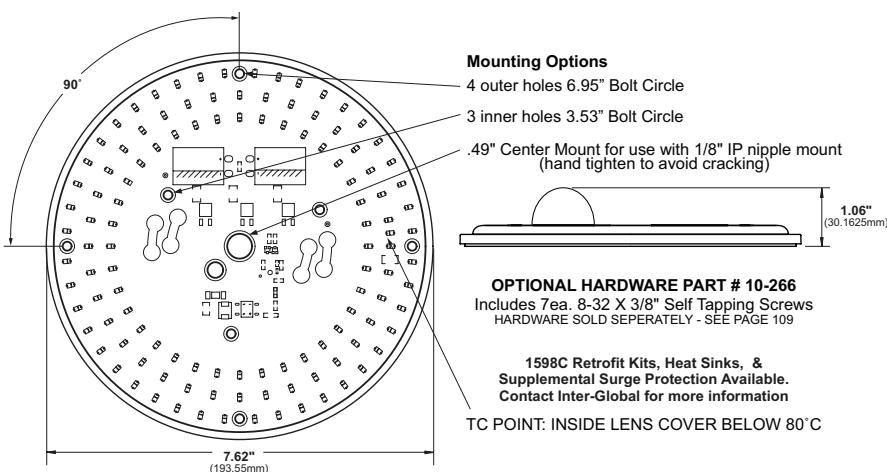
SPECIFICATIONS

- ◊ Input Voltage: 120VAC; 50/60Hz
- ◊ 31 Watt
- ◊ Available in 3000K or 4000K
- ◊ Low Flicker
- ◊ Constant current design
- ◊ High power factor > 0.90
- ◊ Estimated 50,000 hrs L70
- ◊ Optical grade polycarbonate lens
- ◊ Multiple mounting options for easy install
- ◊ On board line surge protection
- ◊ Optional supplemental surge protection
- ◊ 18" 18 AWG Leads
- ◊ UL file: E464765 Certified under UL Standard 8750
- ◊ FCC compliance Class B

LUMENS & CCT @ 90CRI

31W EOS LAMP
2750lm, 3000K = 89lm/W
2850lm, 4000K = 92lm/W

Photometrics available on request



IMPORTANT
***PRODUCT MUST BE INSTALLED WITH PROPER HEAT DISSIPATION.**
LED-MOV1 REQUIRED FOR OUTDOOR APPLICATIONS.
SEE UL TERMS OF ACCEPTABILITY ON PAGE 113 PRIOR TO INSTALLATION.
HEAT SINK NOT INCLUDED

PART NUMBER GUIDE

L26 - AC120 - 7R9C - W

L26 31W

AC120 120V INPUT VOLTAGE
90CRI

7.5" DIA ROUND

W 3000K
C 4000K