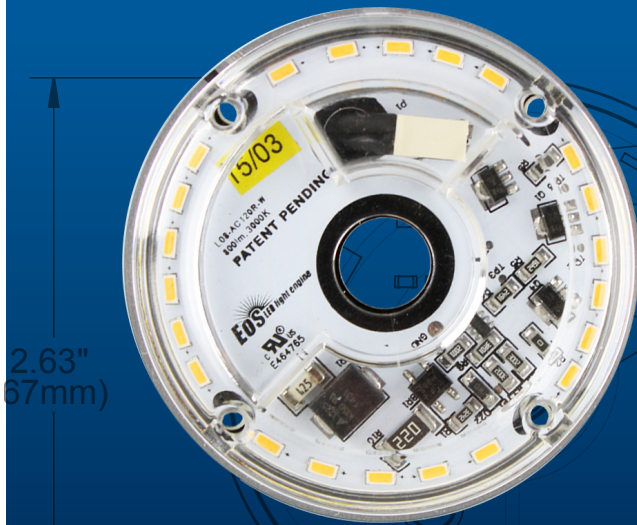


EOS LED ARRAYS

- AC Driver-On-Board Technology
- Multiple Mounting Options
- Data Per NVLAP Accredited Laboratory
- TRIAC Dimmable To 5% (forward & reverse phase)
- Energy Star CSD
- 5 Year Warranty



SPECIFICATIONS

- Input Voltage: 120VAC; 50/60Hz
- 13 Watt
- Available in 3000K or 4000K
- Constant current design
- High power factor > 0.98
- Estimated 50,000 hrs L70
- Max Lens Temp. (Tc): 80°C (see below for Tc location)
- Optical grade polycarbonate lens
- Multiple mounting options for easy install
- On board line surge protection
- Optional MOV ground surge protection
- 12" 18 AWG Leads
- UL file: E464765 Certified under UL Standard 8750
- FCC compliance Class B



RoHS compliant

OPTIONAL HARDWARE PART # 10-267
Includes 4ea. #6 X 3/8" Self Tapping Screws
HARDWARE SOLD SEPERATELY - SEE PAGE 9

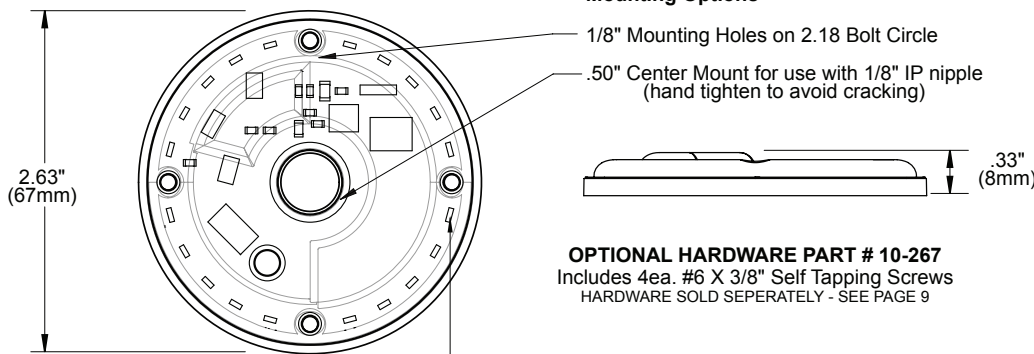
POWER OPTIONS @ 80CRI

13W EOS ARRAY

- 910lm, 3000K = 70lm/W
- 1000lm, 4000K = 76lm/W

90CRI models special order

Mounting Options



OPTIONAL HARDWARE PART # 10-267
Includes 4ea. #6 X 3/8" Self Tapping Screws
HARDWARE SOLD SEPERATELY - SEE PAGE 9

1598C Retrofit Kits, Heat Sinks, & Supplemental Surge Protection Available. Contact Inter-Global for more information

TC POINT: INSIDE LENS COVER BELOW 80°C

IMPORTANT PRODUCT MUST BE INSTALLED WITH PROPER HEAT DISSIPATION. SEE UL TERMS OF ACCEPTABILITY ON PAGE 11 PRIOR TO INSTALLATION.

HEAT SINK NOT INCLUDED

PART NUMBER GUIDE

L08 - AC120R - W

L08 13W

AC120R INPUT VOLTAGE

W 3000K

C 4000K