

EOS LED ARRAYS

- AC Driver-On-Board Technology
- Multiple Mounting Options
- Data Per NVLAP Accredited Laboratory
- TRIAC Dimmable To 5% (forward & reverse phase)
- Energy Star CSD
- 5 Year Warranty



RoHS
compliant

OPTIONAL HARDWARE PART # 10-266
Includes 4ea. 8-32 X 3/8" Self Tapping Screws
HARDWARE SOLD SEPERATELY - SEE PAGE 9

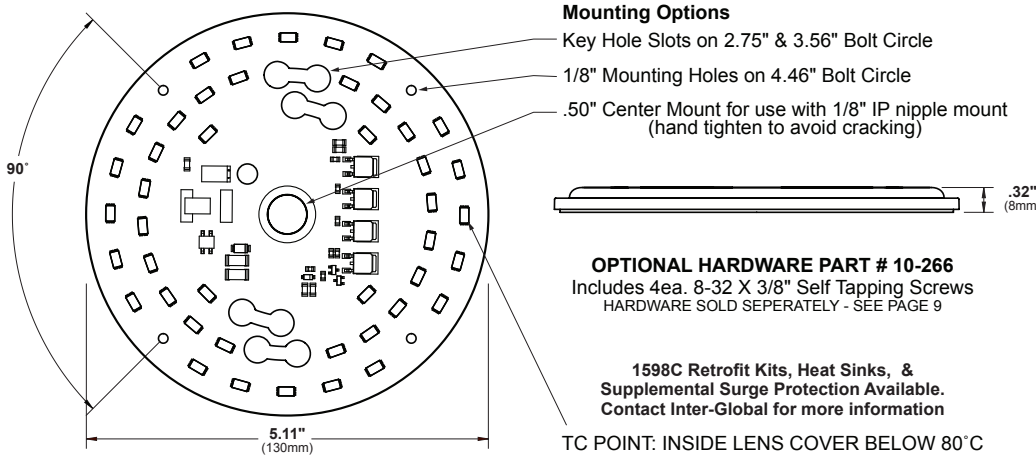


SPECIFICATIONS

- Input Voltage: 120VAC; 50/60Hz
- 14 Watt (15W @ 90CRI)
- Available in 3000K or 4000K
- Constant current design
- High power factor > 0.98
- Estimated 50,000 hrs L70
- Max Lens Temp. (Tc): 80°C (see below for Tc location)
- Optical grade polycarbonate lens
- Multiple mounting options for easy install
- On board line surge protection
- Optional MOV ground surge protection
- 12" 18 AWG Leads
- UL file: E464765 Certified under UL Standard 8750
- FCC compliance Class B

POWER OPTIONS @ 80CRI

- 14W EOS ARRAY**
1350lm, 3000K = 96lm/W
1400lm, 4000K = 100lm/W
90CRI models special order



IMPORTANT
PRODUCT MUST
BE INSTALLED
WITH PROPER
HEAT DISSIPATION.
SEE UL TERMS OF
ACCEPTABILITY
ON PAGE 11 PRIOR
TO INSTALLATION.

HEAT SINK NOT
INCLUDED

PART NUMBER GUIDE

L12 - AC120R - W

L12 14W

AC120R INPUT VOLTAGE

W 3000K

C 4000K