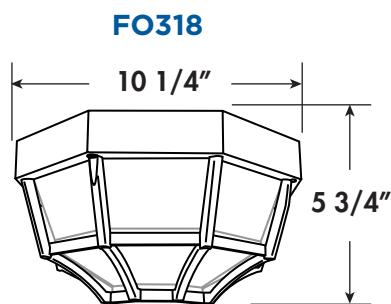


- Available in LED, Incandescent & GU24
- Molded of Durable Non-Corrosive UV Resistant Resins with
- Ceiling Mount
- UL Listed for Damp Locations
- Standard Pack QTY: 6

OCTAGON



EXAMPLE # FO318-G13-WFL

STYLE #	LIGHT SOURCE	BODY	DIFFUSER	OPTIONS
FO318	EOS LED 120V AC, 50/60 Hz, HPF, 50,000 HRS L70*, AMBIENT OP TEMP -40°C TO +40°C, 5 YEAR WARRANTY, DIMMABLE, ENERGY STAR	W -White B - Black	ACRYLIC F -Glare Free Frost	N/A
LE800	- 13W Power Input CRI 80 (TYP) >65 Lumens Per Watt**	W -900lm 3000K C -1000lm 4000K		
LE1200	- 14W Power Input CRI 80 (TYP) >80 Lumens Per Watt**	W -1350lm 3000K C -1400lm 4000K		
LE1800	- 23W Power Input CRI 80 (TYP) >80 Lumens Per Watt**	W -1850lm 3000K C -1900lm 4000K		
	INCANDESCENT, MEDIUM BASE, 120V I75-1 X 75W Max	W -White B - Black	ACRYLIC F -Glare Free Frost	LED LAMP, 3 YEAR WARRANTY DIMMABLE, ENERGY STAR LWE -A19/E26, 2700K LCE -A19/E26, 4000K
	GU24 BASE, 120V G13-1 X 13W G18-1 X 18W G23-1 X 23W G26-1 X 26W or 27W	W -White B - Black	ACRYLIC F -Glare Free Frost	L -CFL, 2700K

*DATA PER LM79/LM80/TM21 & IES FILES AVAILABLE UPON REQUEST

**ESTIMATED FROM LED SOURCE



Scan the QR code to the left to access the Energy Star qualified product list.

Fixtures available with custom packaging options, assembled or knocked down. MOQs apply.

For more information contact our sales department at 1-800-325-7364 or visit www.interglobal-inc.com