



**MS2B**

# MICROWAVE MOTION SENSOR

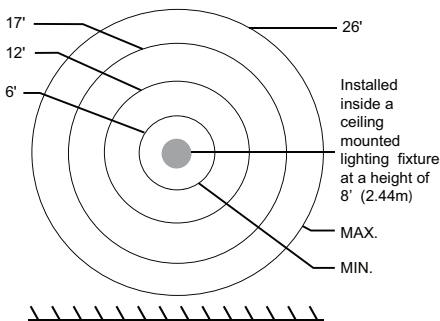
- Adjustable Time, Reach, and Dusk-To-Dawn Sensitivity
- Detects Motion Using High Frequency
- Mounting Bracket for Installation
- Installs Discretely Behind Fixture Lens



### SPECIFICATIONS

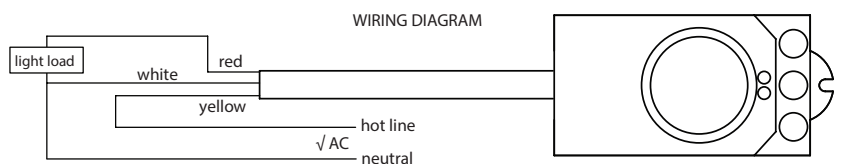
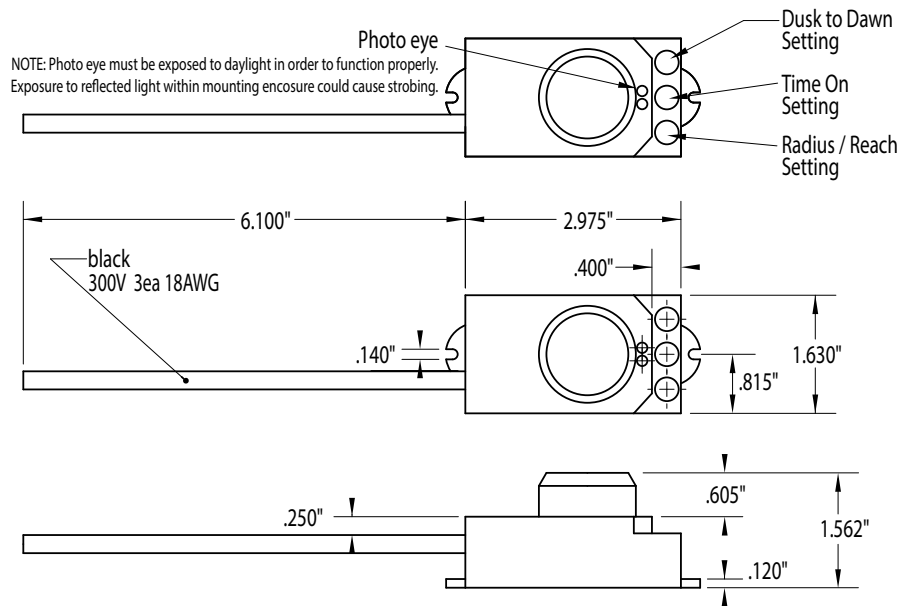
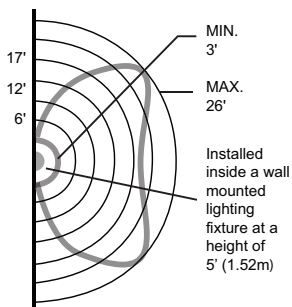
- |   |   |   |
|---|---|---|
| ◦ Input Voltage:<br>100-277VAC; 50/60Hz   | ◦ 2.6W Power Consumption (Static State)       | ◦ Delay: 8 Seconds to 12 Minutes                              |
| ◦ Operating Frequency: 5.8GHz   | ◦ <10mw Transmission Power                    | ◦ Dusk-To-Dawn Sensitivity from<br>2-2000LUX (2000Lux is OFF) |
| ◦ Rated Load:<br>600W @ 100VAC Incandescent<br>200W @ 277VAC LED<br>1200W @ 277VAC Incandescent | ◦ 360° Front Detection Angle                  | ◦ Non Dimmable  |
|   | ◦ 160° Side Detection Angle                   | ◦ UL CUL Listed   |
|   | ◦ 39" to 26' Adjustable<br>Detection Distance | ◦ FCC compliance Class B                                      |

### Ceiling Mount



NOTE: Coverage pattern will vary based on installation of sensor and surrounding materials.

### Wall Mount





**PC-08**

## DUSK TO DAWN SWITCH

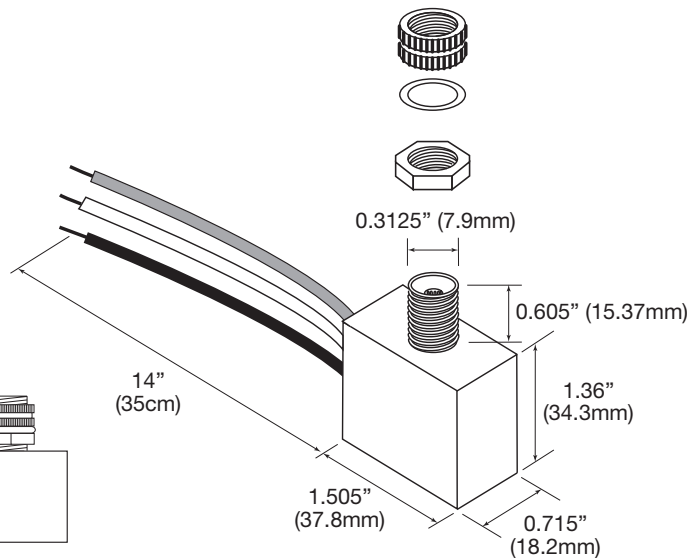
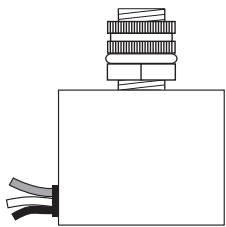
- Switches Light On At Night, Off During Day
- Constructed of Durable Plastic
- Nuts & O-Ring Included
- Standard Pack Qty: 250



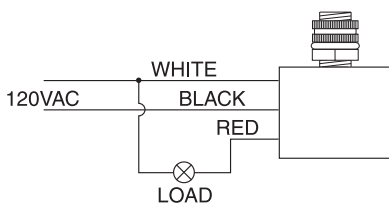
### SPECIFICATIONS

- Input Voltage: 120VAC; 60Hz
- Maximum Output: 300W Incandescent 39W LED & Fluorescent\*
- Optional Swivel Hood Eliminates Strobing (03-003 sold separately)
- Electronic Circuit with Mechanical Switching Relay
- 14" Lead Length
- UR CUR Recognized

\* See lamp specifications for photocell compatability

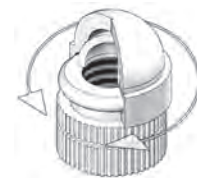


### WIRING DIAGRAM



## OPTIONAL SWIVEL HOOD

- Fully adjustable 2 piece cover helps to eliminate strobing caused by reflected light
- Fits PC-08 dusk to dawn switch
- Available in Black (03-003) or White (03-003WHT)



**Rotates 360°**

