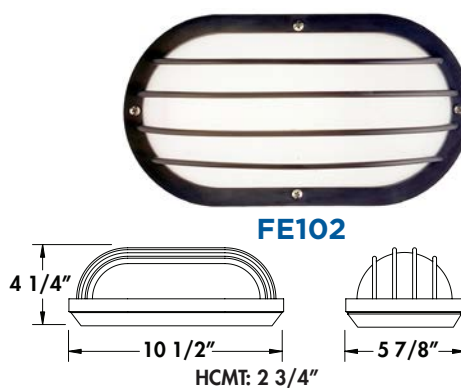


- Available in LED, Incandescent & GU24
- Molded of Durable Non-Corrosive UV Resistant Resins
- Wall Mount Only
- UL Listed for Wet Locations
- Standard Pack QTY: 6

RESIDENTIAL EUROSTYLE



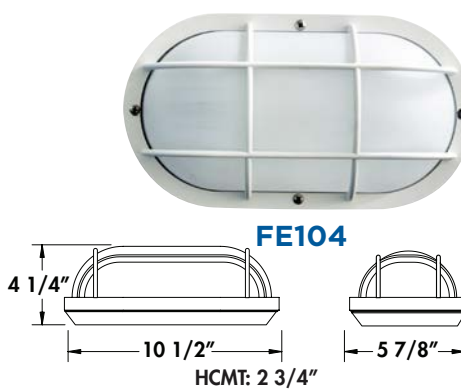
FE101



FE102



FE103



FE104



EXAMPLE # FE101-I60-BF-LWE

STYLE #	LIGHT SOURCE	BODY	DIFFUSER	OPTIONS
FE101	INCANDESCENT, MEDIUM BASE, 120V	W -White	P -POLYCARBONATE	LED LAMP, 3 YEAR WARRANTY DIMMABLE, ENERGY STAR LWE -A19/E26, 2700K LCE -A19/E26, 4000K
FE102	I60 -1 X 60W	B - Black	F -Frosted	
FE103				
FE104				
	GU24 BASE, 120V	W -White	P -POLYCARBONATE	L -CFL, 2700K
	G13 -1 X 13W	B - Black	F -Frosted	
	G18 -1 X 18W			
	G23 -1 X 23W			
	G26 -1 X 26W or 27W			

*DATA PER LM79/LM80/TM21 AVAILABLE UPON REQUEST

**ESTIMATED FROM LED SOURCE



Scan the QR code to the left to access the Energy Star qualified product list.

Fixtures available with custom packaging options, assembled or knocked down. MOQs apply.

For more information contact our sales department at 1-800-325-7364 or visit www.interglobal-inc.com