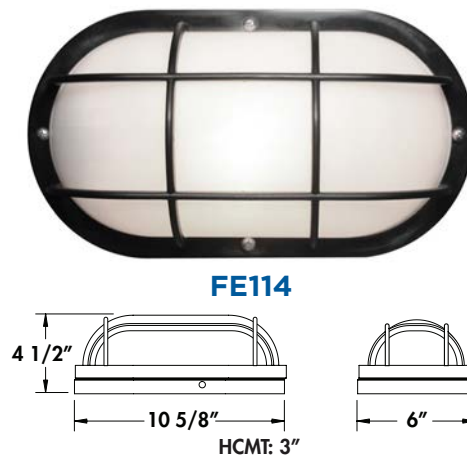
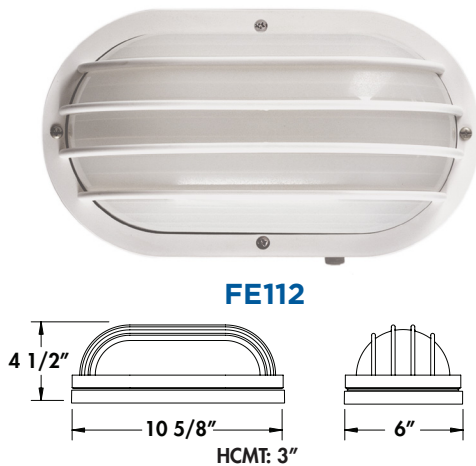


- Available in LED & GU24
- Molded of Durable Non-Corrosive UV Resistant Resins with Powder Coated Aluminum Base
- Wall Mount Only
- UL Listed for Wet Locations
- Standard Pack QTY: 6

COMMERCIAL EUROSTYLE



EXAMPLE # FE112-LE800W-BFP

STYLE #	LIGHT SOURCE	BODY	DIFFUSER	OPTIONS
FE112 FE114	<p>EOS LED 120V AC, 50/60 Hz, HPF, 50,000 HRS L70*, AMBIENT OP TEMP -40°C TO +40°C, 5 YEAR WARRANTY, DIMMABLE, ENERGY STAR </p> <p>LE800 - 13W Power Input W-900lm 3000K CRI 80 (TYP) C-1000lm 4000K >65 Lumens Per Watt**</p>	<p>W-White B- Black</p>	<p>POLYCARBONATE F-Frosted</p>	<p>P-Photocell</p>
	<p>MULTI-VOLT LED 120-277V, 50/60 Hz, CONSTANT CURRENT AT 700mA, DRIVER UL CLASS 2, HPF, THERMALLY PROTECTED ARRAY, 50,000 HRS L70* AMBIENT OP TEMP -40°C TO +40°C, 3 YEAR WARRANTY, ENERGY STAR </p> <p>L900 - 11.3W Power Input C-912lm 4000K CRI 74 (TYP) >80 Lumens Per Watt**</p>	<p>W-White B- Black</p>	<p>POLYCARBONATE F-Frosted</p>	<p>P-Photocell</p>
	<p>GU24 BASE, 120V G13-1 X 13W G213- 2 X 13W G18-1 X 18W G23-1 X 23W G26-1 X 26W or 27W</p>	<p>W-White B- Black</p>	<p>POLYCARBONATE F-Frosted</p>	<p>L-CFL, 2700K</p>

*DATA PER LM79/LM80/TM21 AVAILABLE UPON REQUEST

**ESTIMATED FROM LED SOURCE



Scan the QR code to the left to access the Energy Star qualified product list.

Fixtures available with custom packaging options, assembled or knocked down. MOQs apply.

For more information contact our sales department at 1-800-325-7364 or visit www.interglobal-inc.com