

- Complete with Socket & Mounting Hardware
- Molded of Durable Non-Corrosive UV Resistant Resins
- Polycarbonate Base
- Standard Pack QTY: 48 MOQ: 48

CEILING LANTERN BASES

S318-G

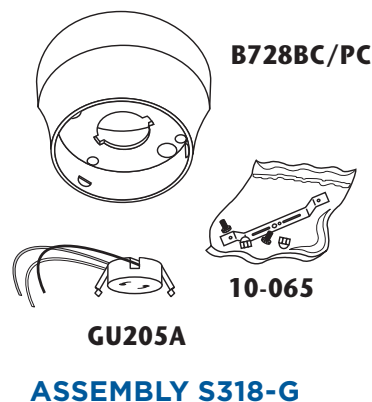
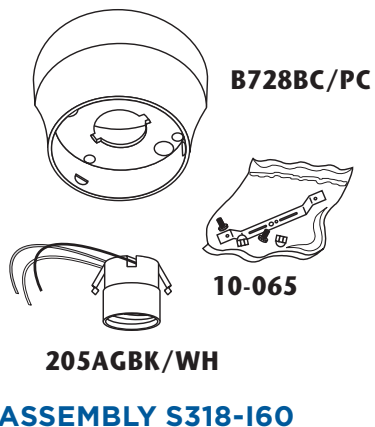
**3 1/8" SCREW
NECK FITTER**



INCANDESCENT
MODEL SHOWN



RoHS
compliant



EXAMPLE # S318-I60-W

| STYLE # | LIGHT SOURCE | BODY |
|-------------|---|-------------------------------------|
| S318 | INCANDESCENT, MEDIUM BASE, 120V I60-1 X 60W | W -White B - Black |
| | GU24 BASE, 120V G-1 X GU24 | W -White B - Black |

Fixtures available with custom packaging options, assembled or knocked down. MOQs apply.