



## EOS LED RETROFIT KITS

- UL 1598 Classified Retrofit Kit
- AC Driver-On-Board Technology
- Data Per NVLAP Accredited Laboratory
- Electronic Dimming (see page 112)
- Energy Star CSD
- 5 Year Warranty  
(LED-MOV1 required for outdoor applications)



RoHS compliant



install video

### SPECIFICATIONS

- Input Voltage: 120VAC; 50/60Hz
- 12W, 16W & 24W Models
- Available in 3000K or 4000K
- Constant current design
- High power factor > 0.90
- Estimated 50,000 hrs L70
- Optical grade polycarbonate lens
- Installation options include key hole slots, nipple, or mounting holes
- Integrated aluminum heat sink with ground wire
- Can be used to comply with 2016 Title 24 part 6 High Efficacy LED Light Source Requirements - JA8-2016
- On board line surge protection
- Optional supplemental surge protection
- 18" 18 AWG Leads
- UL 1598 Classified
- FCC compliance Class B

### MINIMUM DIMENSION REQUIREMENTS

- Diffuser: 6.2" x 6.2" x 6.8"
- Lamp Compartment Volume: 276 in<sup>3</sup>

### LUMENS & CCT @ 90CRI

#### 12W EOS RETROFIT

1020lm, 3000K = 85lm/W  
1040lm, 4000K = 87lm/W

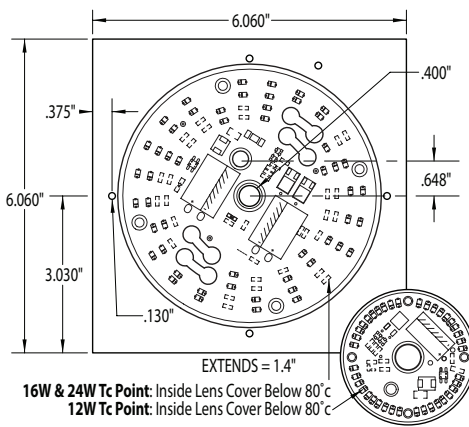
#### 16W EOS RETROFIT

1370lm, 3000K = 86lm/W  
1400lm, 4000K = 88lm/W

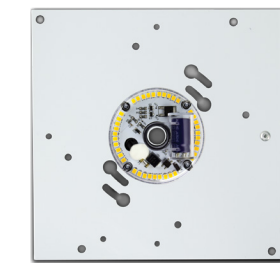
#### 24W EOS RETROFIT

1980lm, 3000K = 82lm/W  
2020lm, 4000K = 84lm/W

Photometrics available on request



OPTIONAL HARDWARE PART # 10-278  
HARDWARE SOLD SEPARATELY - SEE PAGE 109



**SL08-AC120RT-W-M807PL**  
12W, 1020LM, 3000K



**SL12-AC120RT-W-M807PL**  
16W, 1370LM, 3000K



**SL18-AC120RT-W-M807PL**  
24W, 1980LM, 3000K

**SL08-AC120RT-C-M807PL**  
12W, 1040LM, 4000K

**SL12-AC120RT-C-M807PL**  
16W, 1400LM, 4000K

**SL18-AC120RT-C-M807PL**  
24W, 2020LM, 4000K

### PART NUMBER GUIDE

# SL08 - AC120RT - W - M807PL - M

**SL08** 12W  
**SL12** 16W  
**SL18** 24W

**AC120RT** 120V INPUT VOLTAGE  
90CRI

**W** 3000K  
**C** 4000K

**M807PL** HEAT SINK #

**M** LED-MOV1 SUPPLEMENTAL  
SURGE PROTECTION SEE  
PAGE 109

For more information contact our sales department at 1-800-325-7364 or visit [www.interglobal-inc.com](http://www.interglobal-inc.com)