



EOS LED LAMP

- AC Driver-On-Board Technology
- Multiple Mounting Options
- Non-Dimming
- 5 Year Limited Warranty*



SPECIFICATIONS

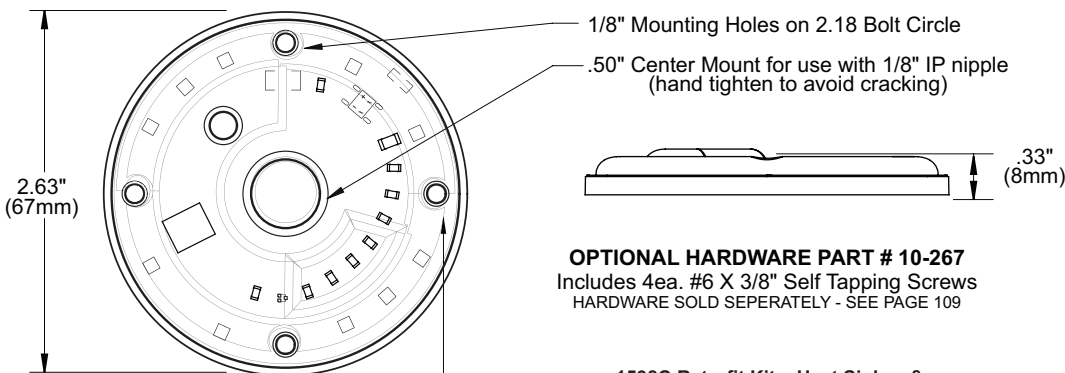
- Input Voltage: 120VAC; 50/60Hz
- 10 Watt
- Available in 3000K or 4000K
- High power factor > 0.95
- Estimated 50,000 hrs L70
- On board line surge protection
- Optional supplemental surge protection
- 10" 18 AWG Leads
- UL file: E464765 Certified under UL Standard 8750
- FCC compliance Class B

LUMENS & CCT @ 80CRI

10W EOS LAMP
 642lm, 3000K = 64lm/W
 679lm, 4000K = 67lm/W

Photometrics available on request

Mounting Options



OPTIONAL HARDWARE PART # 10-267
 Includes 4ea. #6 X 3/8" Self Tapping Screws
 HARDWARE SOLD SEPERATELY - SEE PAGE 109

1598C Retrofit Kits, Heat Sinks, &
 Supplemental Surge Protection Available.
 Contact Inter-Global for more information

TC POINT: INSIDE LENS COVER BELOW 80°C

IMPORTANT

***PRODUCT MUST BE
 INSTALLED WITH PROPER
 HEAT DISSIPATION.
 LED-MOV1 REQUIRED FOR
 OUTDOOR APPLICATIONS.**

**SEE UL TERMS OF
 ACCEPTABILITY ON
 PAGE 113 PRIOR TO
 INSTALLATION.**

HEAT SINK NOT INCLUDED

PART NUMBER GUIDE

L05 - AC120R - W

L05 10W

AC120R 120V INPUT VOLTAGE
80CRI

W 3000K
C 4000K