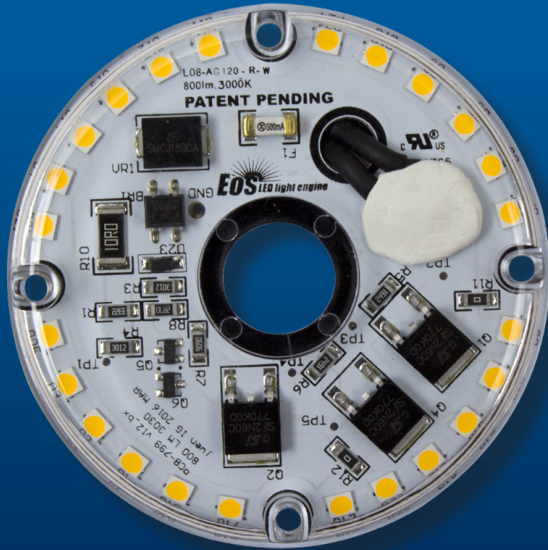


## EOS LED LAMP

- AC Driver-On-Board Technology
- Multiple Mounting Options
- Data Per NVLAP Accredited Laboratory
- Electronic Dimming (see page 24)
- Energy Star CSD
- 5 Year Limited Warranty\*



RoHS  
compliant

### SPECIFICATIONS

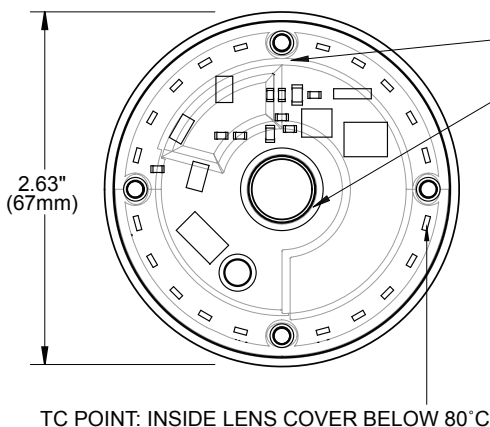
- Input Voltage: 120VAC; 50/60Hz
- 13 Watt
- Available in 3000K or 4000K
- High power factor > 0.95
- Estimated 50,000 hrs L70
- Optical grade polycarbonate lens
- Multiple mounting options for easy install
- Can be used to comply with 2016 Title 24 part 6 High Efficacy LED Light Source Requirements In Outdoor Applications
- On board line surge protection
- Optional supplemental surge protection
- 18" 18 AWG Leads
- UL file: E464765 Certified under UL Standard 8750
- FCC compliance Class B

### LUMENS & CCT @ 80CRI

#### 13W EOS LAMP

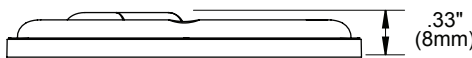
1140lm, 3000K = 88lm/W  
1280lm, 4000K = 98lm/W

Photometrics available on request



### Mounting Options

- 1/8" Mounting Holes on 2.18 Bolt Circle
- .49" Center Mount for use with 1/8" IP nipple (hand tighten to avoid cracking)



**OPTIONAL HARDWARE PART # 10-267**  
Includes 4ea. #6 X 3/8" Self Tapping Screws  
HARDWARE SOLD SEPERATELY - SEE PAGE 23

1598C Retrofit Kits, Heat Sinks, & Supplemental Surge Protection Available. Contact Inter-Global for more information

### IMPORTANT

**\*PRODUCT MUST BE INSTALLED WITH PROPER HEAT DISSIPATION. LED-MOV1 REQUIRED FOR OUTDOOR APPLICATIONS.**

**SEE UL TERMS OF ACCEPTABILITY ON PAGE 25 PRIOR TO INSTALLATION.**

**HEAT SINK NOT INCLUDED**

### PART NUMBER GUIDE

**L08 - AC120R - W**

L08 13W

AC120R 120V INPUT VOLTAGE  
80CRI

W 3000K  
C 4000K

For more information contact our sales department at 1-800-325-7364 or visit [www.interglobal-inc.com](http://www.interglobal-inc.com)