



EOS LED RETROFIT KITS

- **UL 1598 Classified Retrofit Kit**
- **AC Driver-On-Board Technology**
- **Data Per NVLAP Accredited Laboratory**
- **Electronic Dimming** (see page 24)
- **Energy Star CSD**
- **5 Year Warranty**
(LED-MOV1 required for outdoor applications)



RoHS
compliant



install video

SPECIFICATIONS

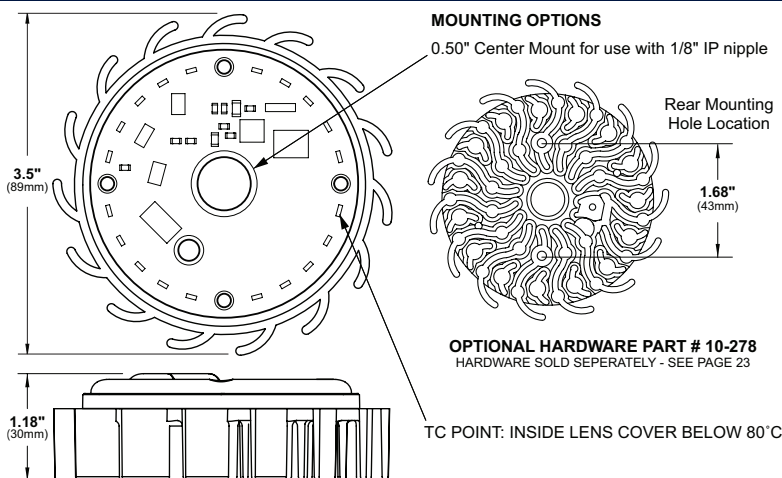
- Input Voltage: 120VAC; 50/60Hz
 - 13W Models
 - Available in 3000K or 4000K
 - High power factor > 0.95
 - Estimated 50,000 hrs L70
 - Optical grade polycarbonate lens
 - Installation options include nipple or mounting holes on back
 - Integrated aluminum heat sink with ground wire
 - Can be used to comply with 2016 Title 24 part 6 High Efficacy LED Light Source Requirements In Outdoor Applications
 - On board line surge protection
 - Optional supplemental surge protection
 - 18" 18 AWG Leads
 - UL 1598 Classified
 - FCC compliance Class B
- MINIMUM DIMENSION REQUIREMENTS**
- Diffuser: 6.10" dia x 3.7" depth
 - Lamp Compartment Volume: 111.6 in³

LUMENS & CCT @ 80CRI

13W EOS RETROFIT

1140lm, 3000K = 88lm/W
1280lm, 4000K = 98lm/W

Photometrics available on request



SL08-AC120R-W
13W, 1140LM, 3000K

SL08-AC120R-C
13W, 1280LM, 4000K

PART NUMBER GUIDE

SL08 - AC120R - W - M

SL08 13W

AC120R 120V INPUT VOLTAGE
80CRI

W 3000K
C 4000K

M LED-MOV1 SUPPLEMENTAL
SURGE PROTECTION
SEE PAGE 23