



EOS LED RETROFIT KITS

- UL 1598 Classified Retrofit Kit
- AC Driver-On-Board Technology
- Data Per NVLAP Accredited Laboratory
- Electronic Dimming (see page 24)
- Energy Star CSD
- 5 Year Warranty
(LED-MOV1 required for outdoor applications)



RoHS compliant



install video

SPECIFICATIONS

- Input Voltage: 120VAC; 50/60Hz
- 16W & 24W Models
- Available in 3000K or 4000K
- Constant current design
- High power factor > 0.90
- Estimated 50,000 hrs L70
- Optical grade polycarbonate lens
- Installation options include key hole slots, nipple, or mounting holes on back
- Integrated aluminum heat sink with ground wire
- Can be used to comply with 2016 Title 24 part 6 High Efficacy LED Light Source Requirements - JA8-2016
- On board line surge protection
- Optional supplemental surge protection
- 18" 18 AWG Leads
- UL 1598 Classified
- FCC compliance Class B

MINIMUM DIMENSION REQUIREMENTS

- Diffuser: 6.10" dia x 3.7" depth
- Lamp Compartment Volume: 124.9 in³

LUMENS & CCT @ 90CRI

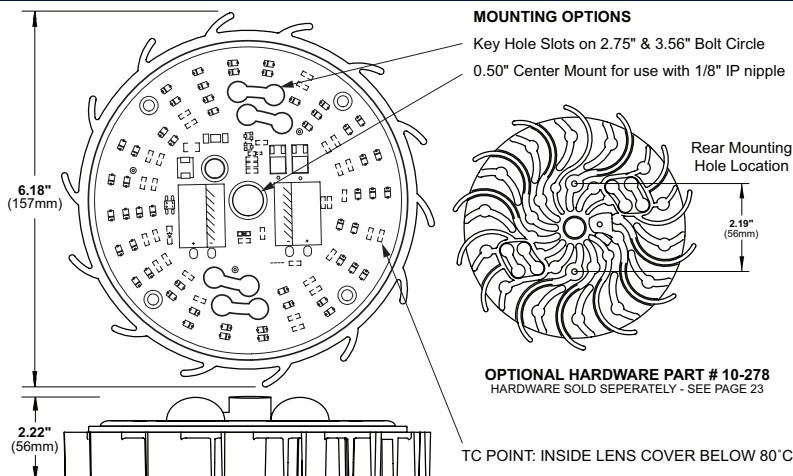
16W EOS RETROFIT

1370lm, 3000K = 86lm/W
1400lm, 4000K = 88lm/W

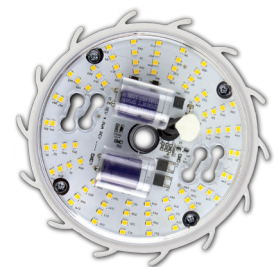
24W EOS RETROFIT

1980lm, 3000K = 82lm/W
2020lm, 4000K = 84lm/W

Photometrics available on request



SL12-AC120RT-W
16W, 1370LM, 3000K



SL18-AC120RT-W
24W, 1980LM, 3000K

SL12-AC120RT-C
16W, 1400LM, 4000K

SL18-AC120RT-C
24W, 2020LM, 4000K

PART NUMBER GUIDE

SL12 - AC120RT - W - M

SL12 16W
SL18 24W

AC120RT 120V INPUT VOLTAGE
90CRI

W 3000K
C 4000K

M LED-MOV1 SUPPLEMENTAL
SURGE PROTECTION
SEE PAGE 23