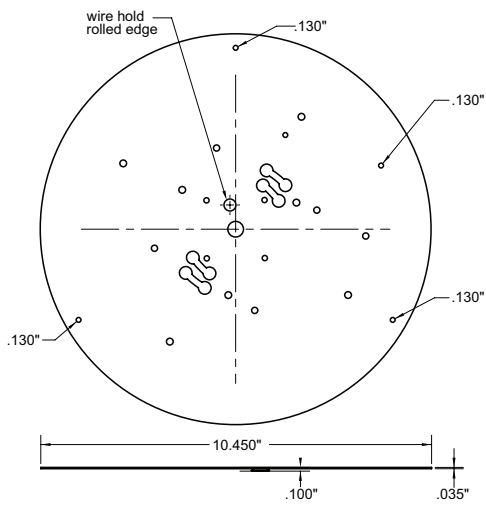
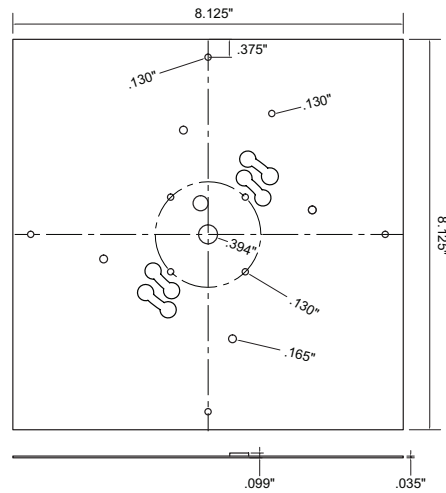


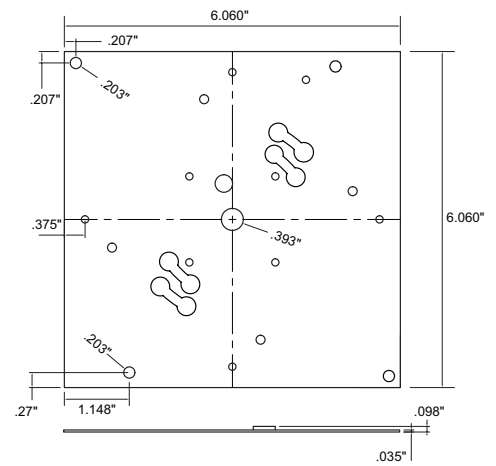
# ALUMINUM HEAT SINKS



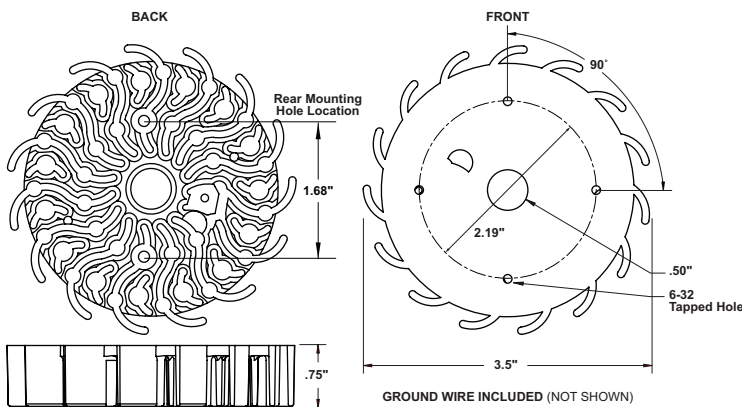
**M802PL**  
10" FLAT ROUND



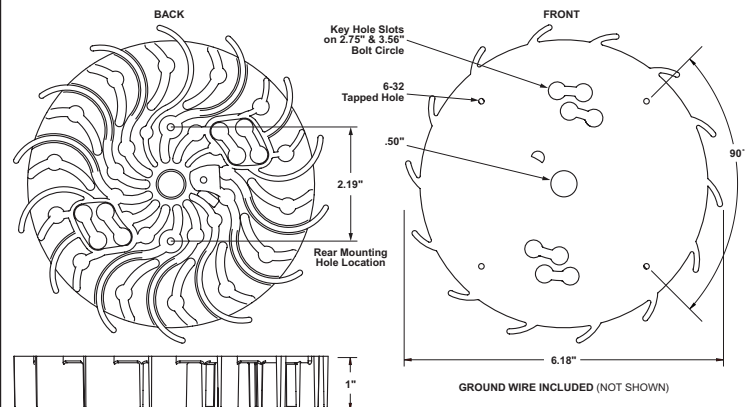
**M804PL**  
8" FLAT SQUARE



**M807PL**  
6" FLAT SQUARE



**EOS800HS**  
3.5" DIAMETER PUCK



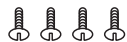
**EOS1200HS**  
6" DIAMETER PUCK

## HARDWARE

### ARRAY MOUNTING HARDWARE

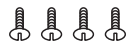
**10-266**

14/23W ARRAY Mounting Hardware  
4ea. 8-32 X 3/8" Self Tapping Screws



**10-267**

13W ARRAY Mounting Hardware  
4ea. #6 X 3/8" Self Tapping Screws

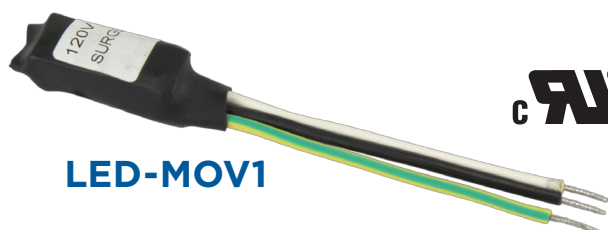


### RETROFIT MOUNTING HARDWARE

**10-278** - Universal hardware bag includes extra parts to cover multiple applications.  
1ea. 3' long 1/8" IP nipple, 2ea Hex Nuts, 2ea Lock Washers,  
2ea. 8-32 X 3/8" Self Tapping Screws, 4ea. 6-32 X 1/2" Screws, & 8ea. Nuts w/LOCK



## SURGE PROTECTION



**LED-MOV1**

- Supplementary 120V Surge Protector
- Required With EOS LED Products in Outdoor Applications
- Transient voltage protection: 4.0Kv (32 joules)@140VAC: L-L,L-N,L-G
- 6" 18 AWG Leads

For more information contact our sales department at 1-800-325-7364 or visit [www.interglobal-inc.com](http://www.interglobal-inc.com)