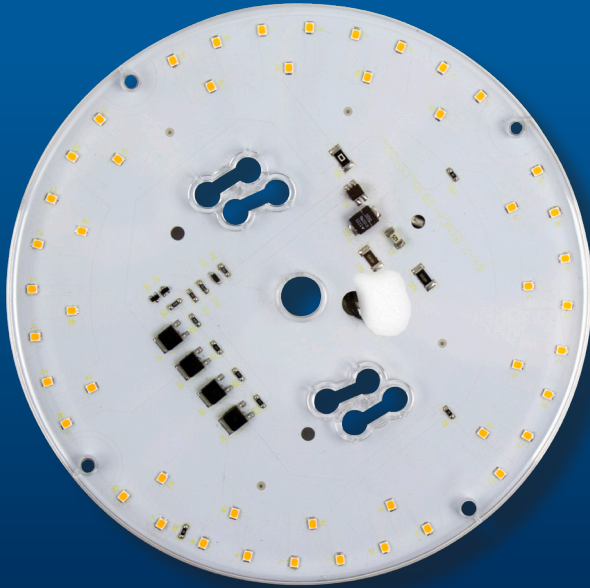


EOS LED LAMP

- AC Driver-On-Board Technology
- Multiple Mounting Options
- Data Per NVLAP Accredited Laboratory
- Electronic Dimming (see page 112)
- 5 Year Limited Warranty*



SPECIFICATIONS

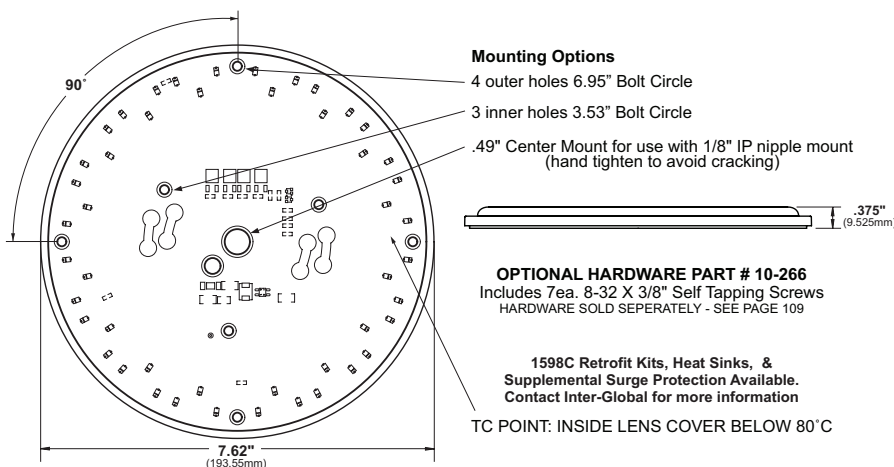
- Input Voltage: 120VAC; 50/60Hz
- 32 Watt
- Available in 3000K or 4000K
- High power factor > 0.95
- Estimated 50,000 hrs L70
- Optical grade polycarbonate lens
- Multiple mounting options for easy install
- On board line surge protection
- Optional supplemental surge protection
- 18" 18 AWG Leads
- UL file: E464765 Certified under UL Standard 8750
- FCC compliance Class B

LUMENS & CCT @ 80CRI

32W EOS LAMP

2700lm, 3000K = 84lm/W
2750lm, 4000K = 86lm/W

Photometrics available on request



IMPORTANT

***PRODUCT MUST BE INSTALLED WITH PROPER HEAT DISSIPATION.**

LED-MOV1 REQUIRED FOR OUTDOOR APPLICATIONS.

SEE UL TERMS OF ACCEPTABILITY ON PAGE 113 PRIOR TO INSTALLATION.

HEAT SINK NOT INCLUDED

PART NUMBER GUIDE

L26 - AC120 - 7R - W

L26 32W

AC120 120V INPUT VOLTAGE
80CRI

7.5" DIA ROUND

W 3000K
C 4000K

For more information contact our sales department at 1-800-325-7364 or visit www.interglobal-inc.com