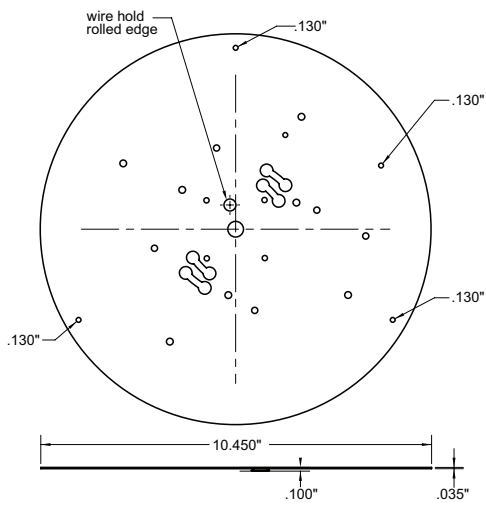
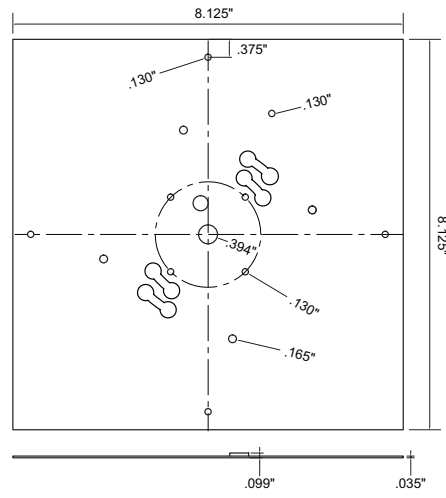


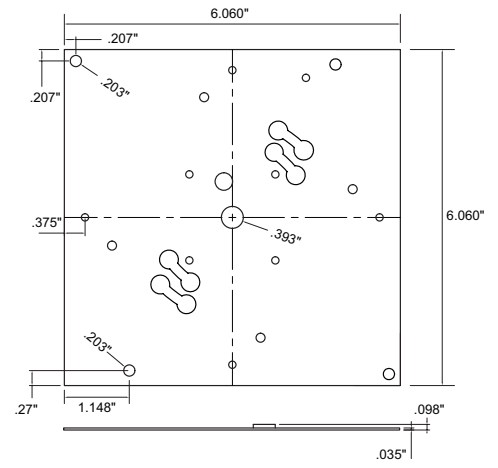
WHITE ALUMINUM HEAT SINKS



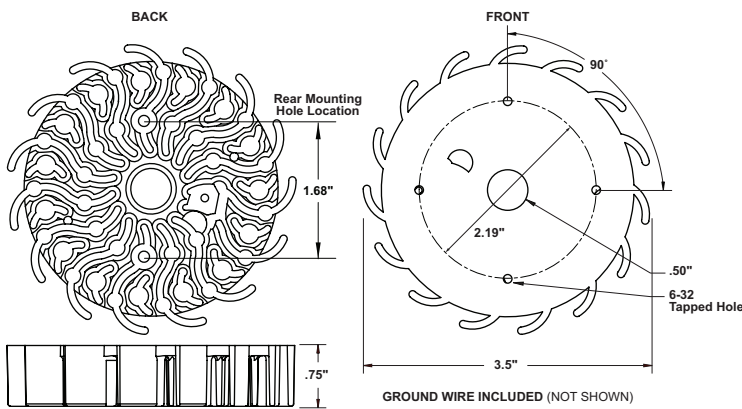
M802PL
10" FLAT ROUND



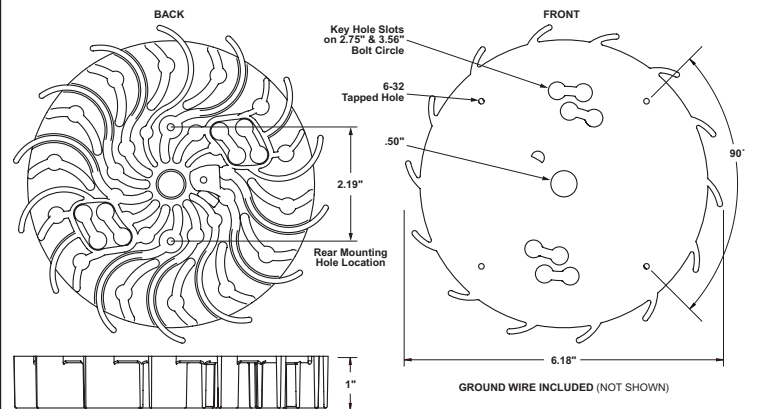
M804PL
8" FLAT SQUARE



M807PL
6" FLAT SQUARE



EOS800HS
3.5" DIAMETER PUCK



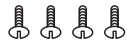
EOS1200HS
6" DIAMETER PUCK

HARDWARE

ARRAY MOUNTING HARDWARE

10-266

14/23W ARRAY Mounting Hardware
4ea. 8-32 X 3/8" Self Tapping Screws



10-267

13W ARRAY Mounting Hardware
4ea. #6 X 3/8" Self Tapping Screws

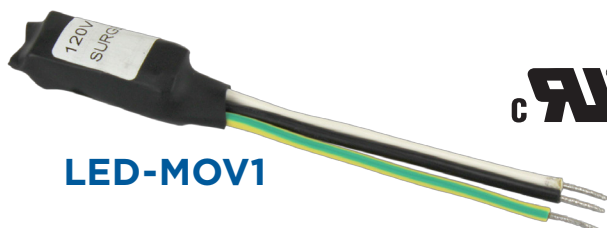


RETROFIT MOUNTING HARDWARE

10-278 - Universal hardware bag includes extra parts to cover multiple applications.
1ea. 3' long 1/8" IP nipple, 2ea Hex Nuts, 2ea Lock Washers,
2ea. 8-32 X 3/8" Self Tapping Screws, 4ea. 6-32 X 1/2" Screws, & 8ea. Nuts w/LOCK



SURGE PROTECTION



LED-MOV1



- Supplementary 120V Surge Protector
- Required With EOS LED Products in Outdoor Applications
- Transient voltage protection: 4.0Kv (32 joules)@140VAC: L-L,L-N,L-G
- 6" 18 AWG Leads

For more information contact our sales department at 1-800-325-7364 or visit www.interglobal-inc.com