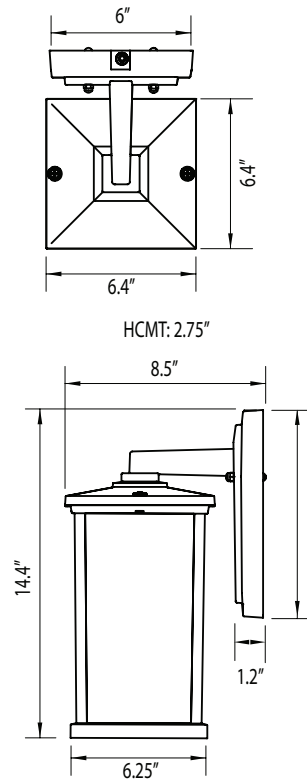


- Available in LED & Incandescent
- Fade & Rust Resistant Composite Construction
- Black, White, or Bronze
- Optional Photocell
- UL Listed for Wet Locations

HUTTON - LARGE



FH146



EXAMPLE # FH146-I60-ZF-LWE

STYLE #	LIGHT SOURCE	BODY	DIFFUSER	OPTIONS
FH146	EOS LED 120V AC, 50/60 Hz, HPF, 50,000 HRS L70*, AMBIENT OP TEMP -40°C TO +40°C, 5 YEAR WARRANTY, DIMMABLE, ENERGY STAR	B-Black W-White Z-Bronze	ACRYLIC F-Glare Free Frost	P-Photocell
	LE800 - 13W, 80 CRI W-1140lm 3000K >88 Lumens Per Watt** C-1280lm 4000K			
	INCANDESCENT, MEDIUM BASE, 120V I60-1 X 60W Max	B-Black W-White Z-Bronze	ACRYLIC F-Glare Free Frost	P-Photocell LED LAMP, 3 YEAR WARRANTY DIMMABLE, ENERGY STAR LWE-A19/E26, 80CRI, 3000K LCE-A19/E26, 80CRI, 4000K

*DATA PER LM79/LM80/TM21 AVAILABLE UPON REQUEST

**ESTIMATED FROM LED SOURCE

90CRI OPTIONS AVAILABLE - SEE PAGE 112 FOR DIMMER COMPATIBILITY

Fixtures available with custom packaging options, assembled or knocked down. MOQs apply.