



## EOS LED RETROFIT KITS

- **UL 1598 Classified Retrofit Kit**
- **AC Driver-On-Board Technology**
- **Data Per NVLAP Accredited Laboratory**
- **Electronic Dimming** (see page 112)
- **Energy Star CSD**
- **5 Year Warranty**  
(LED-MOV1 required for outdoor applications)



**RoHS**  
compliant



install video

### SPECIFICATIONS

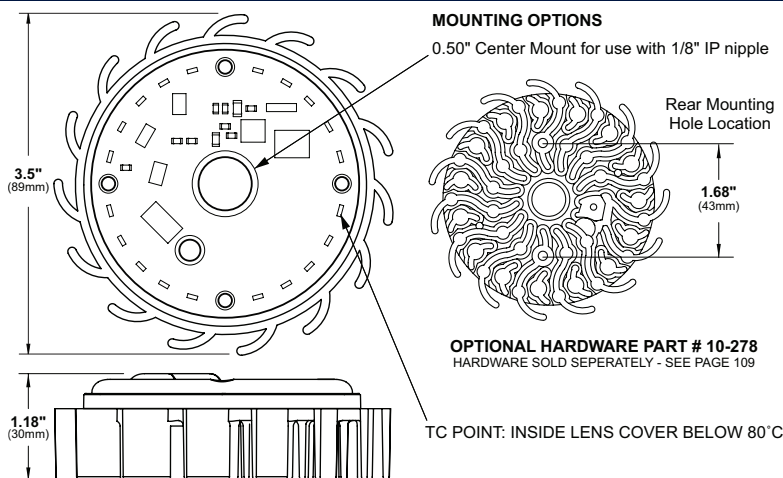
- Input Voltage: 120VAC; 50/60Hz
  - 13W Models
  - Available in 3000K or 4000K
  - High power factor > 0.95
  - Estimated 50,000 hrs L70
  - Optical grade polycarbonate lens
  - Installation options include nipple or mounting holes on back
  - Integrated aluminum heat sink with ground wire
  - Can be used to comply with 2016 Title 24 part 6 High Efficacy LED Light Source Requirements In Outdoor Applications
  - On board line surge protection
  - Optional supplemental surge protection
  - 18" 18 AWG Leads
  - UL 1598 Classified
  - FCC compliance Class B
- MINIMUM DIMENSION REQUIREMENTS**
- Diffuser: 6.10" dia x 3.7" depth
  - Lamp Compartment Volume: 111.6 in<sup>3</sup>

### LUMENS & CCT @ 80CRI

#### 13W EOS RETROFIT

1140lm, 3000K = 88lm/W  
1280lm, 4000K = 98lm/W

Photometrics available on request



**SL08-AC120R-W**  
13W, 1140LM, 3000K

**SL08-AC120R-C**  
13W, 1280LM, 4000K

### PART NUMBER GUIDE

**SL08 - AC120R - W - M**

**SL08** 13W

**AC120R** 120V INPUT VOLTAGE  
80CRI

**W** 3000K  
**C** 4000K

**M** LED-MOV1 SUPPLEMENTAL  
SURGE PROTECTION  
SEE PAGE 109