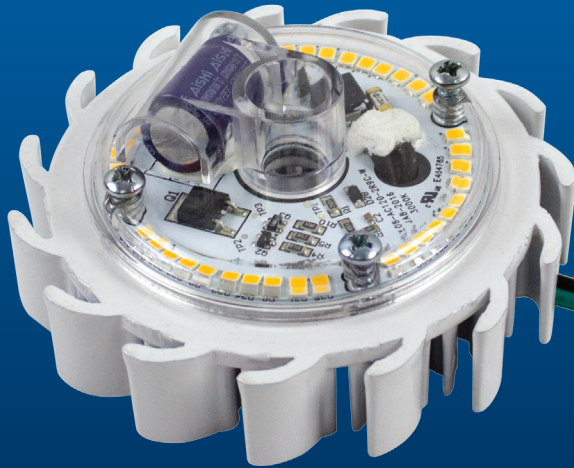


## EOS LED RETROFIT KITS

- UL 1598 Classified Retrofit Kit
- AC Driver-On-Board Technology
- Data Per NVLAP Accredited Laboratory
- Electronic Dimming (see page 112)
- Energy Star CSD
- 5 Year Warranty  
(LED-MOV1 required for outdoor applications)



RoHS compliant



install video

### SPECIFICATIONS

- Input Voltage: 120VAC; 50/60Hz
- 12W Models
- Available in 3000K or 4000K
- Constant current design
- High power factor > 0.90
- Estimated 50,000 hrs L70
- Optical grade polycarbonate lens
- Installation options include nipple or mounting holes on back
- Integrated aluminum heat sink with ground wire
- Can be used to comply with 2016 Title 24 part 6 High Efficacy LED Light Source Requirements - JA8-2016
- On board line surge protection
- Optional supplemental surge protection
- 18" 18 AWG Leads
- UL 1598 Classified
- FCC compliance Class B

### MINIMUM DIMENSION REQUIREMENTS

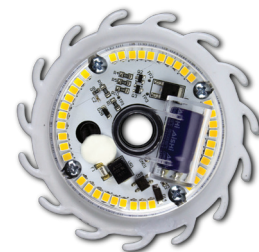
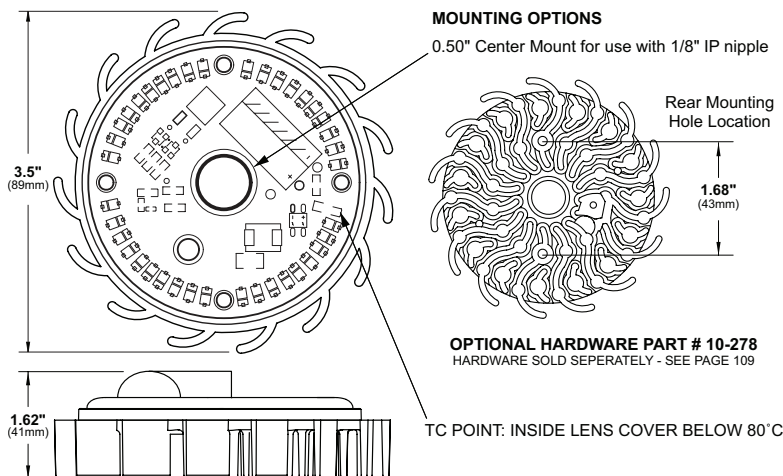
- Diffuser: 6.10" dia x 3.7" depth
- Lamp Compartment Volume: 111.6 in<sup>3</sup>

### LUMENS & CCT @ 90CRI

#### 12W EOS RETROFIT

- 1020lm, 3000K = 85lm/W
- 1040lm, 4000K = 87lm/W

Photometrics available on request



**SL08-AC120RT-W**  
12W, 1020LM, 3000K

**SL08-AC120RT-C**  
12W, 1040LM, 4000K

### PART NUMBER GUIDE

**SL08 - AC120RT - W - M**

**SL08** 12W

**AC120RT** 120V INPUT VOLTAGE  
90CRI

**W** 3000K  
**C** 4000K

### OPTIONAL

**M** LED-MOV1 SUPPLEMENTAL  
SURGE PROTECTION  
SEE PAGE 109

For more information contact our sales department at 1-800-325-7364 or visit [www.interglobal-inc.com](http://www.interglobal-inc.com)