

## EOS LED RETROFIT KITS

- **UL 1598 Classified Retrofit Kit**
- **AC Driver-On-Board Technology**
- **Data Per NVLAP Accredited Laboratory**
- **Electronic Dimming** (see page 112)
- **Energy Star CSD**
- **5 Year Warranty**  
(LED-MOV1 required for outdoor applications)



RoHS  
compliant



install video

### SPECIFICATIONS

- Input Voltage: 120VAC; 50/60Hz
  - 13W, 14W & 22W Models
  - Available in 3000K or 4000K
  - High power factor > 0.95
  - Estimated 50,000 hrs L70
  - Optical grade polycarbonate lens
  - Installation options include key hole slots, nipple, or mounting holes
  - Integrated aluminum heat sink with ground wire
  - Can be used to comply with 2016 Title 24 part 6 High Efficacy LED Light Source Requirements In Outdoor Applications
  - On board line surge protection
  - Optional supplemental surge protection
  - 18" 18 AWG Leads
  - UL 1598 Classified
  - FCC compliance Class B
- MINIMUM DIMENSION REQUIREMENTS**
- Diffuser: 6.2" x 6.2" x 6.8"
  - Lamp Compartment Volume: 276 in<sup>3</sup>

### LUMENS & CCT @ 80CRI

#### 13W EOS RETROFIT

1140lm, 3000K = 81lm/W  
1280lm, 4000K = 88lm/W

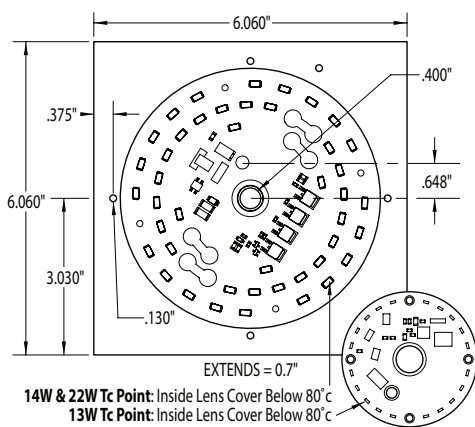
#### 14W EOS RETROFIT

1430lm, 3000K = 102lm/W  
1500lm, 4000K = 103lm/W

#### 22W EOS RETROFIT

1950lm, 3000K = 88lm/W  
2130lm, 4000K = 96lm/W

Photometrics available on request



**OPTIONAL HARDWARE PART # 10-278**  
HARDWARE SOLD SEPARATELY - SEE PAGE 109



**SL08-AC120R-W-M807PL**  
13W, 1140LM, 3000K



**SL12-AC120R-W-M807PL**  
14W, 1430LM, 3000K



**SL18-AC120R-W-M807PL**  
22W, 1950LM, 3000K

**SL08-AC120R-C-M807PL**  
13W, 1280LM, 4000K

**SL12-AC120R-C-M807PL**  
14W, 1500LM, 4000K

**SL18-AC120R-C-M807PL**  
22W, 2130LM, 4000K

### PART NUMBER GUIDE

# SL08 - AC120R - W - M807PL -

### OPTIONAL

# M

**SL08** 13W  
**SL12** 14W  
**SL18** 22W

**AC120R** 120V INPUT VOLTAGE  
80CRI

**W** 3000K  
**C** 4000K

**M807PL** HEAT SINK #

**M** LED-MOV1 SUPPLEMENTAL  
SURGE PROTECTION SEE  
PAGE 109