



EOS LED RETROFIT KITS

- **UL 1598 Classified Retrofit Kit**
- **AC Driver-On-Board Technology**
- **Data Per NVLAP Accredited Laboratory**
- **Electronic Dimming** (see page 112)
- **Energy Star CSD**
- **5 Year Warranty**
(LED-MOV1 required for outdoor applications)



RoHS
compliant



install video

SPECIFICATIONS

- Input Voltage: 120VAC; 50/60Hz
 - 13W, 14W & 22W Models
 - Available in 3000K or 4000K
 - High power factor > 0.95
 - Estimated 50,000 hrs L70
 - Optical grade polycarbonate lens
 - Installation options include key hole slots, nipple, or mounting holes
 - Integrated aluminum heat sink with ground wire
 - Can be used to comply with 2016 Title 24 part 6 High Efficacy LED Light Source Requirements In Outdoor Applications
 - On board line surge protection
 - Optional supplemental surge protection
 - 18" 18 AWG Leads
 - UL 1598 Classified
 - FCC compliance Class B
- MINIMUM DIMENSION REQUIREMENTS**
- Diffuser: 8.2" x 8.2" x 2.0"
 - Lamp Compartment Volume: 140.3 in³

LUMENS & CCT @ 80CRI

13W EOS RETROFIT

1140lm, 3000K = 81lm/W
1280lm, 4000K = 88lm/W

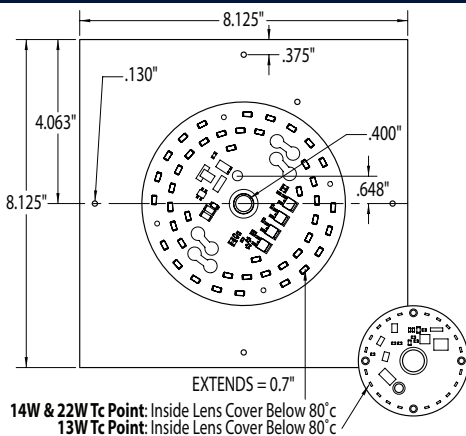
14W EOS RETROFIT

1430lm, 3000K = 102lm/W
1500lm, 4000K = 103lm/W

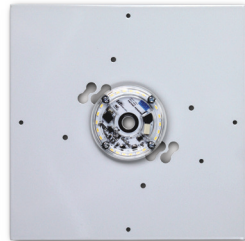
22W EOS RETROFIT

1950lm, 3000K = 88lm/W
2130lm, 4000K = 96lm/W

Photometrics available on request



OPTIONAL HARDWARE PART # 10-278
HARDWARE SOLD SEPARATELY - SEE PAGE 109



SLO8-AC120R-W-M804PL
13W, 1140LM, 3000K



SL12-AC120R-W-M804PL
14W, 1430LM, 3000K



SL18-AC120R-W-M804PL
22W, 1950LM, 3000K



SLO8-AC120R-C-M804PL
13W, 1280LM, 4000K



SL12-AC120R-C-M804PL
14W, 1500LM, 4000K



SL18-AC120R-C-M804PL
22W, 2130LM, 4000K

PART NUMBER GUIDE

SL08 - AC120R - W - M804PL - M

SL08 13W
SL12 14W
SL18 22W

AC120R 120V INPUT VOLTAGE
80CRI

W 3000K
C 4000K

M804PL HEAT SINK #

M LED-MOV1 SUPPLEMENTAL
SURGE PROTECTION SEE
PAGE 109