



INTER·GLOBAL®

YOUR PRIVATE LABEL OEM SOURCE
1.800.325.7364 sales@interglobal-inc.com
www.interglobal-inc.com

V24
PRODUCT
CATALOG



TABLE OF CONTENTS

3 Electrical Components

LED Arrays, Heat Sinks, Motion Sensors, Photocells, & Posts

21 Retrofits

LED Retrofit Kits

32 Outdoor Fixtures

Wall, Ceiling, & Post-Top Fixtures

105 Indoor Fixtures

Wall & Ceiling Fixtures

122 Compatible Dimmer List

Dimmer Compatibility Chart (Informational)

123 Emergency Backup

Emergency Backup Specs (Informational)

124 Visual Index



BAA, Buy American Act
Compliant Fixtures Icon

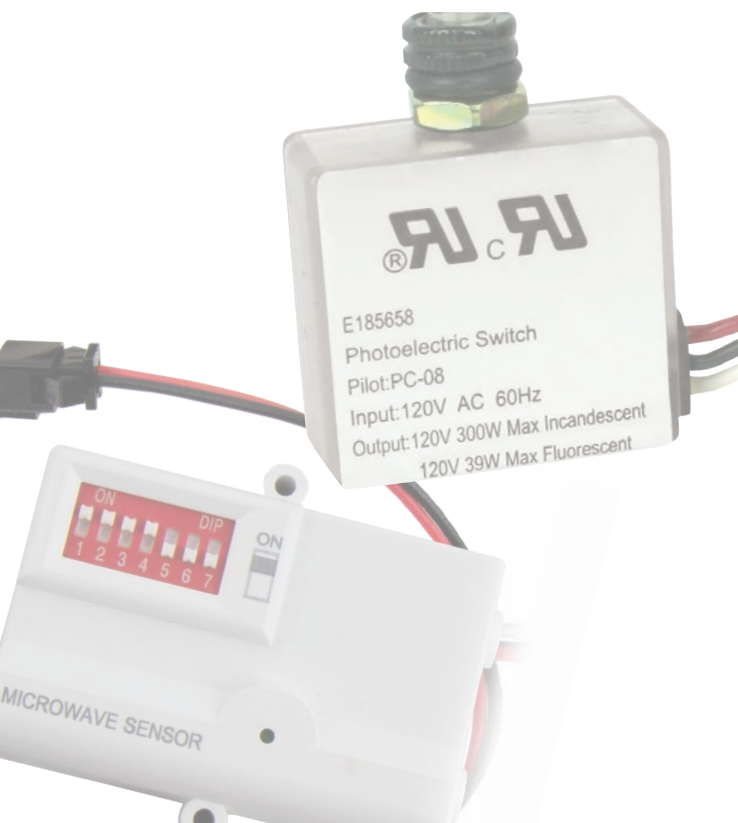
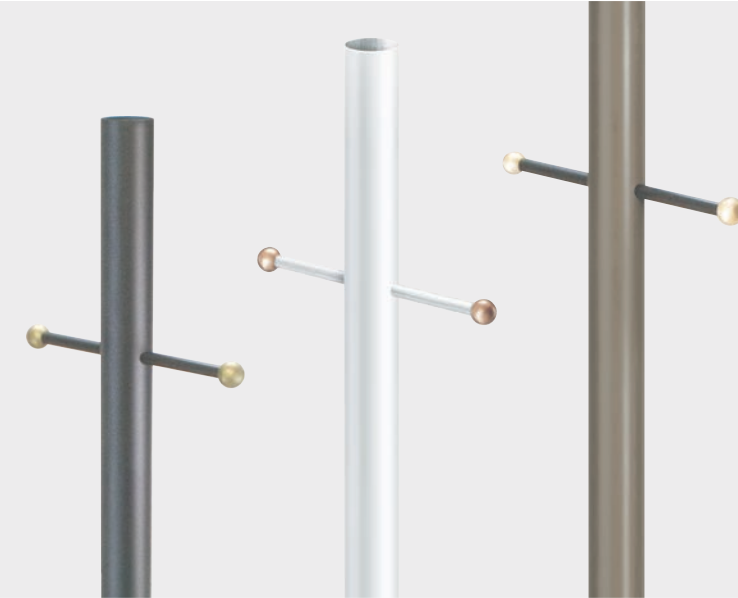
Contact Us

© Inter-Global Inc.

Address: 6333 Etzel Ave. St. Louis, MO 63133

Email: sales@interglobal-inc.com Website: www.interglobal-inc.com

Phone: 314.725.9800 Toll Free: 1.800.325.7364 Fax: 314.721.6333



INTER·GLOBAL®

1.800.325.7364 sales@interglobal-inc.com
www.interglobal-inc.com

ELECTRICAL COMPONENTS

- LED Arrays
- Heat Sinks
- Motion Sensors
- Photocells
- Posts & Accessories

10W, 120V, 80CRI



L05 EOS LED ARRAY

- ◊ AC Driver-On-Board Technology
- ◊ Non-Dimming
- ◊ 5 Year Warranty*



SPECIFICATIONS

- ◊ Input Voltage: 120VAC; 50/60hz
- ◊ 10W Models
- ◊ Available In 3000K or 4000K
- ◊ High Power Factor > 0.95
- ◊ Estimated 50,000 Hrs L70
- ◊ On Board Line Surge Protection
- ◊ 18 AWG Leads, 10" Length
- ◊ UL File: E464765 Classified Under UL Standards 8750
- ◊ FCC Compliance Class B

LUMENS & CCT @ 80CRI

10W EOS RETROFIT
 642lm, 3000K = 64lm/W
 679lm, 4000K = 67lm/W

Photometrics available upon request

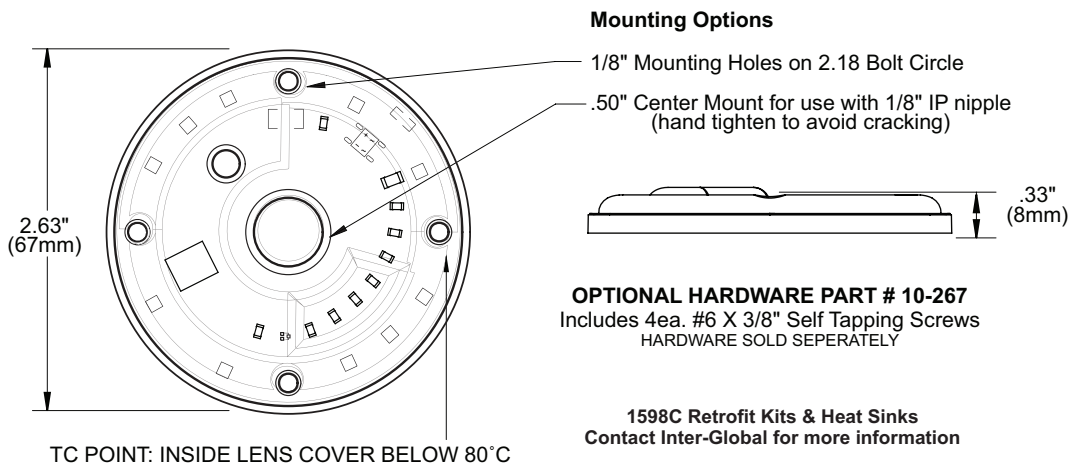
PART NUMBER GUIDE

L05 - AC120R - W

L05 10W

AC120R 120V, 80CRI

W 3000K
 C 4000K



IMPORTANT: *PRODUCT MUST BE INSTALLED WITH PROPER HEAT DISSIPATION. FOR USE IN DRY AND DAMP LOCATIONS ONLY. SEE UL TERMS OF ACCEPTABILITY ON PAGE 20 PRIOR TO INSTALLATION. HEAT SINK NOT INCLUDED. SEE PAGE 13 FOR HEAT SINK OPTIONS.

13W, 120V, 80CRI



L08 EOS LED ARRAY

- ◊ AC Driver-On-Board Technology
- ◊ Data Per NVLAP Accredited Laboratory
- ◊ Electronic Dimming (see page 122)
- ◊ 5 Year Warranty*



SPECIFICATIONS

- ◊ Input Voltage: 120VAC; 50/60hz
- ◊ 13W Models
- ◊ Available In 3000K or 4000K
- ◊ High Power Factor > 0.95
- ◊ Estimated 50,000 Hrs L70
- ◊ Optical Grade Polycarbonate Lens
- ◊ On Board Line Surge Protection
- ◊ Can Be Used To Comply With 2016 Title 24 Part 6 High Efficacy LED Light Source Requirements In Outdoor Applications
- ◊ 18 AWG Leads, 18" Length
- ◊ UL File: E464765 Classified Under UL Standards 8750
- ◊ FCC Compliance Class B

LUMENS & CCT @ 80CRI

13W EOS ARRAY
 1140lm, 3000K = 88lm/W
 1280lm, 4000K = 98lm/W

Photometrics available upon request

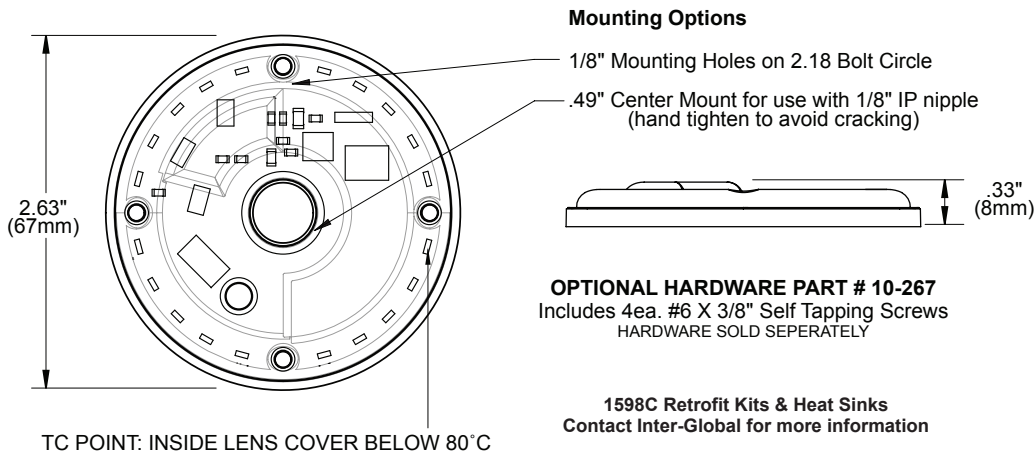
PART NUMBER GUIDE

L08 - AC120R - W

L08 13W

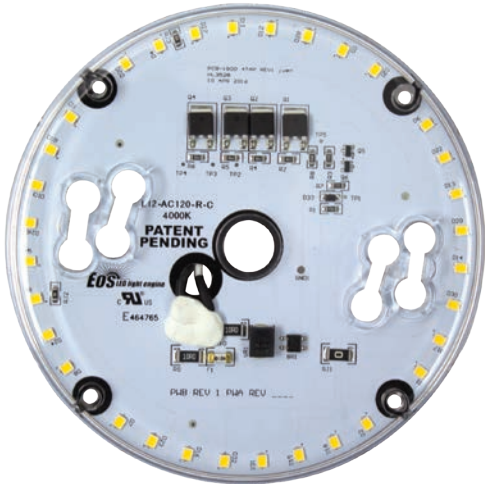
AC120R 120V, 80CRI

W 3000K
 C 4000K



IMPORTANT: *PRODUCT MUST BE INSTALLED WITH PROPER HEAT DISSIPATION. FOR USE IN DRY AND DAMP LOCATIONS ONLY. SEE UL TERMS OF ACCEPTABILITY ON PAGE 20 PRIOR TO INSTALLATION. HEAT SINK NOT INCLUDED. SEE PAGE 13 FOR HEAT SINK OPTIONS.

14W, 120V, 80CRI



L12 EOS LED ARRAY

- ◊ AC Driver-On-Board Technology
- ◊ Multiple Mounting Options
- ◊ Data Per NVLAP Accredited Laboratory
- ◊ Electronic Dimming (see page 122)
- ◊ 5 Year Warranty*



SPECIFICATIONS

- ◊ Input Voltage: 120VAC; 50/60hz
- ◊ 14W Models
- ◊ Available In 3000K or 4000K
- ◊ High Power Factor > 0.95
- ◊ Estimated 50,000 Hrs L70
- ◊ Optical Grade Polycarbonate Lens
- ◊ Multiple Mounting Options For Easy Install
- ◊ On Board Line Surge Protection
- ◊ Can Be Used To Comply With 2016 Title 24 Part 6 High Efficacy LED Light Source Requirements
- ◊ 18 AWG Leads, 18" Length
- ◊ UL File: E464765 Classified Under UL Standards 8750
- ◊ FCC Compliance Class B

LUMENS & CCT @ 80CRI

14W EOS ARRAY
 1470lm, 3000K = 102lm/W
 1500lm, 4000K = 103lm/W

Photometrics available upon request

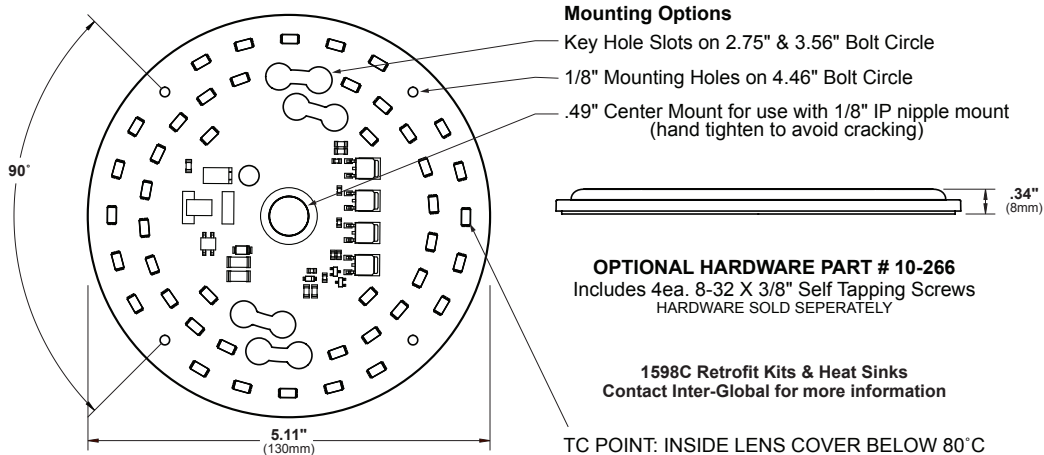
PART NUMBER GUIDE

L12 - AC120R - W

L12 14W

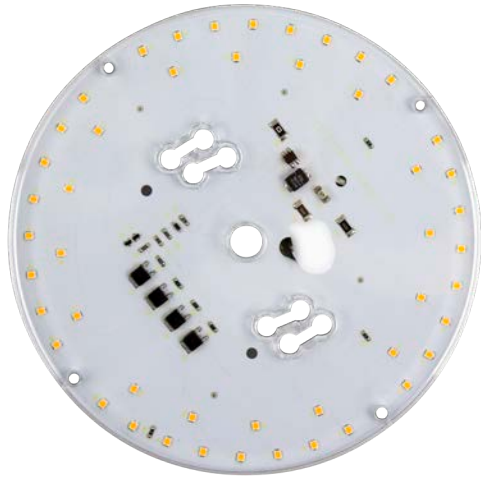
AC120R 120V, 80CRI

W 3000K
 C 4000K



IMPORTANT: *PRODUCT MUST BE INSTALLED WITH PROPER HEAT DISSIPATION. FOR USE IN DRY AND DAMP LOCATIONS ONLY. SEE UL TERMS OF ACCEPTABILITY ON PAGE 20 PRIOR TO INSTALLATION. HEAT SINK NOT INCLUDED. SEE PAGE 13 FOR HEAT SINK OPTIONS.

32W, 120V, 80CRI



L26 EOS LED ARRAY

- ◊ AC Driver-On-Board Technology
- ◊ Multiple Mounting Options
- ◊ Data Per NVLAP Accredited Laboratory
- ◊ Electronic Dimming (see page 122)
- ◊ 5 Year Warranty*



SPECIFICATIONS

- ◊ Input Voltage: 120VAC; 50/60hz
- ◊ 32W Models
- ◊ Available In 3000K or 4000K
- ◊ High Power Factor > 0.95
- ◊ Estimated 50,000 Hrs L70
- ◊ Optical Grade Polycarbonate Lens
- ◊ Multiple Mounting Options For Easy Install
- ◊ On Board Line Surge Protection
- ◊ Can Be Used To Comply With 2016 Title 24 Part 6 High Efficacy LED Light Source Requirements
- ◊ 18 AWG Leads, 18" Length
- ◊ UL File: E464765 Certified Under UL Standard 8750
- ◊ FCC Compliance Class B

LUMENS & CCT @ 80CRI

32W 120V EOS ARRAY
 2700lm, 3000K = 84lm/W
 2750lm, 4000K = 86lm/W

Photometrics available upon request

PART NUMBER GUIDE

L26

L26 32W

-

AC120

AC120 120V, 80CRI

-

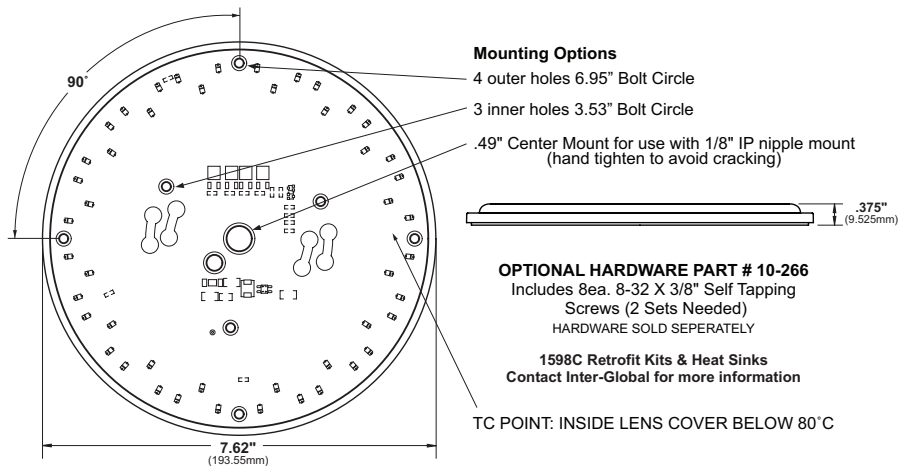
7R

7.5" DIA ROUND

-

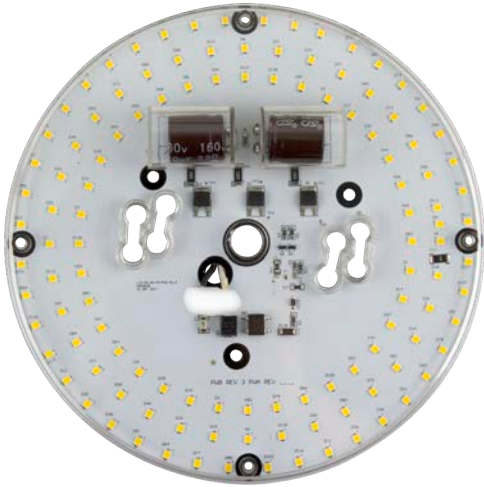
W

W 3000K
 C 4000K



IMPORTANT: *PRODUCT MUST BE INSTALLED WITH PROPER HEAT DISSIPATION. FOR USE IN DRY AND DAMP LOCATIONS ONLY. SEE UL TERMS OF ACCEPTABILITY ON PAGE 20 PRIOR TO INSTALLATION. HEAT SINK NOT INCLUDED. SEE PAGE 13 FOR HEAT SINK OPTIONS.

31W, 120V, LOW FLICKER 90CRI



L26 LOW FLICKER EOS LED ARRAY

- AC Driver-On-Board Technology
- Multiple Mounting Options
- Data Per NVLAP Accredited Laboratory
- Electronic Dimming (see page 122)
- 5 Year Warranty*



SPECIFICATIONS

- Input Voltage: 120VAC; 50/60hz
- 31W Models
- Available In 3000K or 4000K
- Low Flicker
- Constant Current Design
- High Power Factor > 0.90
- Estimated 50,000 Hrs L70
- Optical Grade Polycarbonate Lens
- Multiple Mounting Options For Easy Install
- On Board Line Surge Protection
- 18 AWG Leads, 18" Length
- UL File: E464765 Certified Under UL Standard 8750
- FCC Compliance Class B

LUMENS & CCT @ 90CRI

31W EOS ARRAY
 2750lm, 3000K = 89lm/W
 2850lm, 4000K = 92lm/W

Photometrics available upon request

PART NUMBER GUIDE

L26

L26 31W

-

AC120

AC120 120V, 90CRI

-

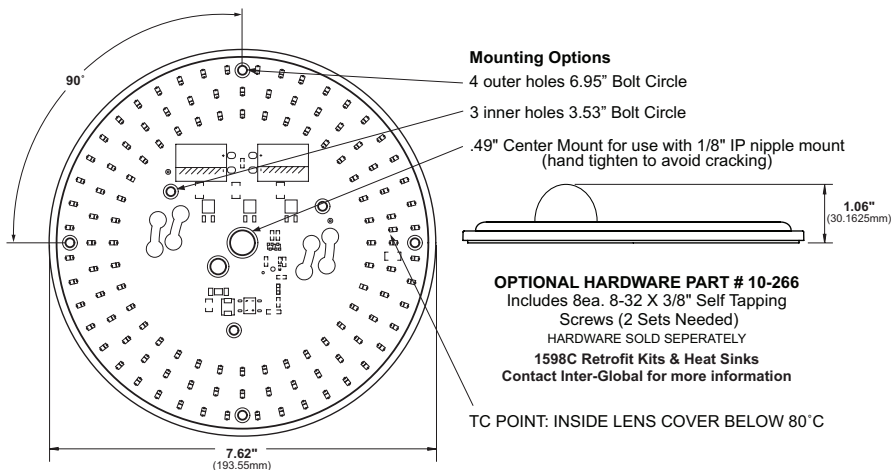
7R9C

7.5" DIA ROUND

-

W

W 3000K
 C 4000K



IMPORTANT: *PRODUCT MUST BE INSTALLED WITH PROPER HEAT DISSIPATION. FOR USE IN DRY AND DAMP LOCATIONS ONLY. SEE UL TERMS OF ACCEPTABILITY ON PAGE 20 PRIOR TO INSTALLATION. HEAT SINK NOT INCLUDED. SEE PAGE 13 FOR HEAT SINK OPTIONS.

ALUMINUM HEAT SINKS

WHITE ALUMINUM HEAT SINKS



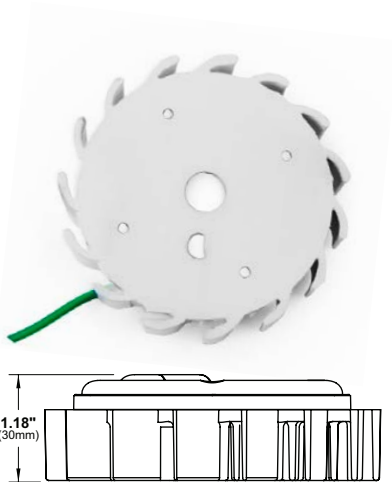
M802PL
10" Flat Round



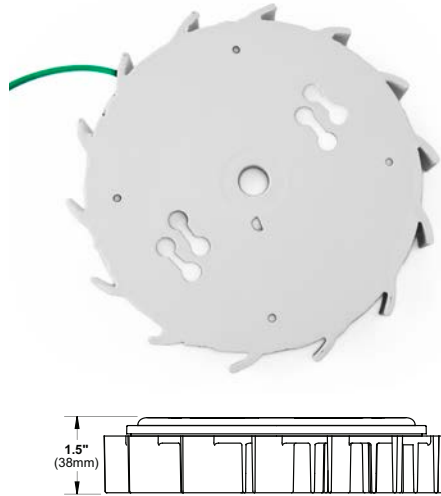
M807PL
6" Flat Square



M804PL
8" Flat Square



EOS800HS
3.5" Diameter Puck
With Green Ground Wire

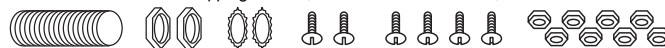


EOS1200HS
6" Diameter Puck
With Green Ground Wire

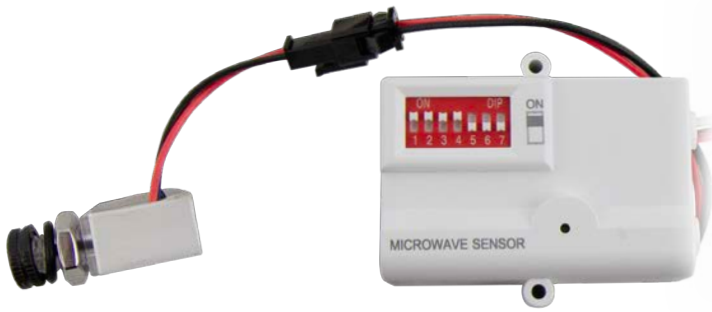
HARDWARE

RETROFIT MOUNTING HARDWARE

10-278 - Universal hardware bag includes extra parts to cover multiple applications.
 1ea. 3" long 1/8" IP nipple, 2ea Hex Nuts, 2ea Lock Washers,
 2ea. 8-32 X 3/8" Self Tapping Screws, 4ea. 6-32 X 1/2" Screws, & 8ea. Nuts w/Lock



NS2B SPECIFICATIONS



MICROWAVE PHOTOCELL /MOTION SENSOR

- 120V Only
- Remote PhotoCell
- Adjustable Time, Range, & Dusk-to-Dawn Sensitivity
- Detects Motion Using High Frequency Microwaves
- Installs Discretely, Works Inside Fixture

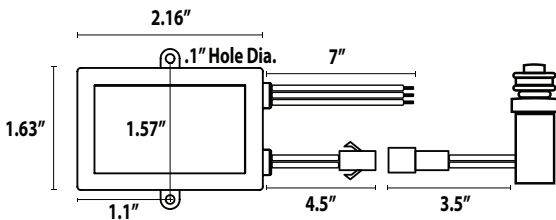


NS2B Settings: see page 15

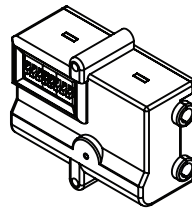
SPECIFICATIONS

- Input Voltage: 120VAC; 50/60hz
- Load/Output: 120VAC, 250W Incandescent (Tungsten) / LED 3 Amps
- Stand By Load: < 0.5w
- 180° Front Detection Angle
- *Sensing Distance: 39' ~ 100%, 25' ~ 50%
- Time Duration Setting: 5s / 30s / 60s / 3min / 5min / 10min / 20min / 30min
- Dusk Activation Settings Lux Settings (2, 10, 25, 50)
- Not For Use With Dimmers
- FCC Compliance Class B
- Max Operating Temp: 60°C

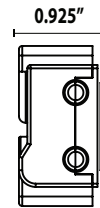
FRONT (SENSOR SURFACE)



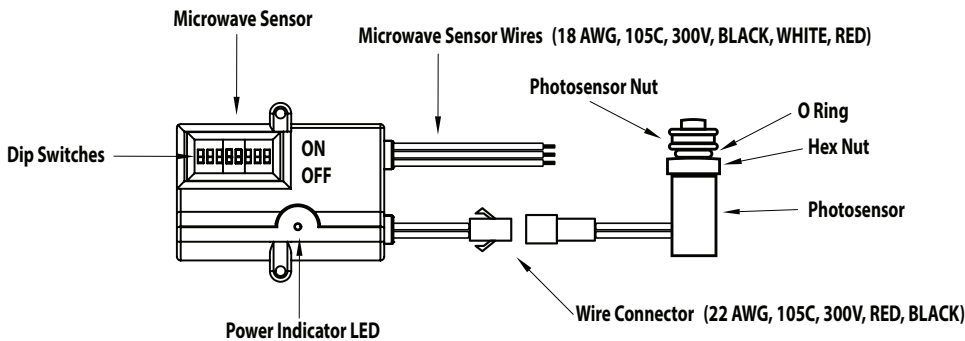
BACK



SIDE

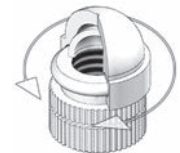


SENSOR DIAGRAM

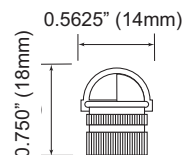


OPTIONAL SWIVEL HOOD FOR PHOTOCELL

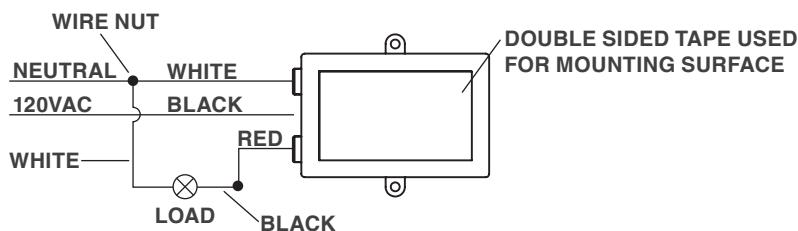
- Fully adjustable 2 piece cover helps to eliminate strobing caused by reflected light
- Fits PC-08 dusk to dawn switch & NS2B Sensor
- Available in Black (03-003) or White (03-003WHT)
- Sold Separately



Rotates 360°

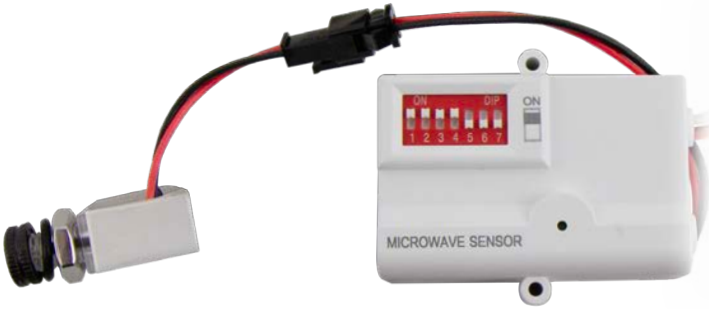


WIRING DIAGRAM



IMPORTANT: *SENSING DISTANCE MAY VARY DEPENDING ON APPLICATION'S ENVIRONMENTAL CONDITIONS.

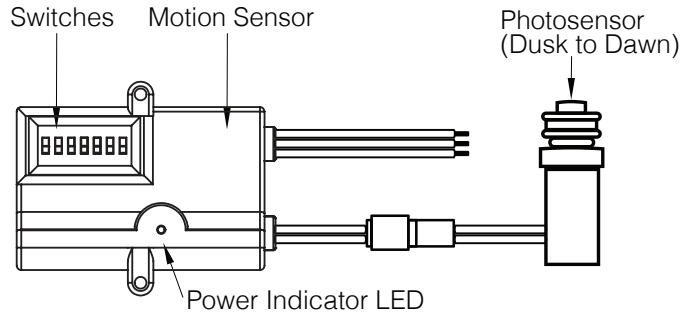
NS2B SETTINGS



MICROWAVE PHOTOCCELL /MOTION SENSOR



SAFETY WARNING
120V
Read All Instructions Carefully Before Beginning. Turn Power Supply Off Before Installing. Qualified Electrician Is Required For Installation. Always Turn Off The Power Before Installation.



PRODUCT SETTINGS

RANGE
 SWITCH 1
 *40 ft | 20 ft
 1 ON | 1 OFF

ON

RANGE | DURATION | LIGHT SENSITIVITY

* **DEFAULT SETTINGS: 40 ft, 5 min, Twilight**

SWITCH SETTINGS
 ON | OFF

DURATION
 SWITCHES 2-4

5 sec.	30 sec.	1 min.	3 min.	* 5 min.	10 min.	20 min.	30 min.
2 ON 3 ON 4 ON	2 ON 3 ON 4 OFF	2 ON 3 OFF 4 ON	2 ON 3 OFF 4 OFF	2 OFF 3 ON 4 ON	2 OFF 3 ON 4 OFF	2 OFF 3 OFF 4 ON	2 OFF 3 OFF 4 OFF

LIGHT SENSITIVITY
 SWITCHES 5-7

Night	Dusk	*Twilight	Sunset	Disable
5 ON 6 ON 7 ON	5 ON 6 ON 7 OFF	5 OFF 6 ON 7 OFF	5 ON 6 OFF 7 ON	5 OFF 6 OFF 7 OFF

NS3B SPECIFICATIONS



MICROWAVE PHOTOCELL /MOTION SENSOR

- Multivolt, 120-277V
- Built-In Photocell
- Adjustable Time, Range, & Dusk-to-Dawn Sensitivity
- Detects Motion Using High Frequency Microwaves
- *Installs Discretely, Works Inside Fixture

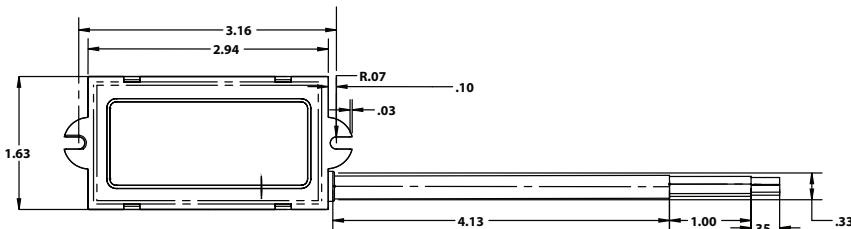


NS3B Settings: see page 17

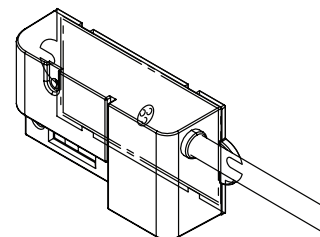
SPECIFICATIONS

- Input Voltage: 120-277VAC; 50/60hz
- Load/Output: 120VAC, 250W Incandescent (Tungsten) / LED 3 Amps
- Stand By Load: < 0.5w
- 180° Front Detection Angle
- *Sensing Distance: 39' ~ 100%, 25' ~ 50%
- Time Duration Setting: 5s / 30s / 60s / 3min / 5min / 10min / 20min / 30min
- Dusk Activation Settings Lux Settings (2, 10, 25, 50)
- Not For Use With Dimmers
- FCC Compliance Class B
- Max Operating Temp: 60°C

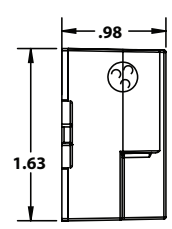
FRONT (SENSOR SURFACE)



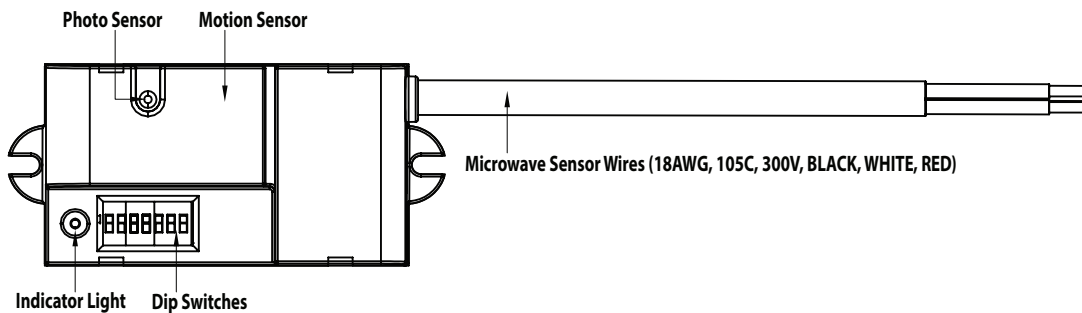
BACK



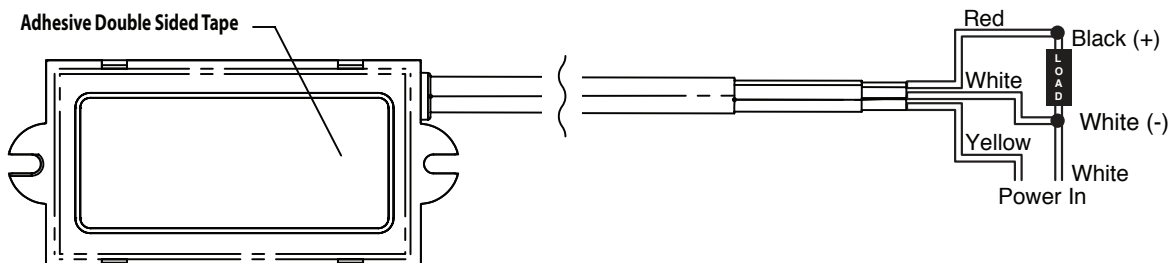
SIDE



SENSOR DIAGRAM



WIRING DIAGRAM



IMPORTANT: *SENSING DISTANCE MAY VARY DEPENDING ON APPLICATION'S ENVIRONMENTAL CONDITIONS. NOT FOR USE BEHIND OPAQUE LENS.

NS3B SETTINGS

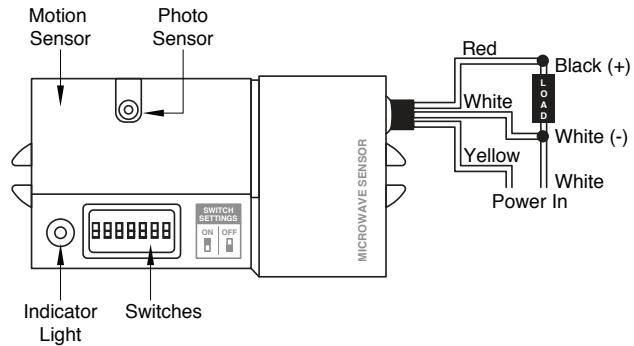


MICROWAVE PHOTOCCELL /MOTION SENSOR



Important: Photosensor must be exposed to natural outdoor light in order to operate correctly. Not for use behind opaque lens.

SAFETY WARNING
120V-277V
 Read All Instructions Carefully Before Beginning. Turn Power Supply Off Before Installing. Qualified Electrician Is Required For Installation. Always Turn Off The Power Before Installation.



PRODUCT SETTINGS

RANGE
 SWITCH 1
 * 40 ft 20 ft
 1 ON 1 OFF

ON

1	2	3	4	5	6	7
RANGE		DURATION			LIGHT SENSITIVITY	

* **DEFAULT SETTINGS: 40 ft, 5 min, Twilight**

SWITCH SETTINGS
 ON OFF

DURATION
 SWITCHES 2-4

5 sec.	30 sec.	1 min.	3 min.	* 5 min.	10 min.	20 min.	30 min.
2 ON 3 ON 4 ON	2 ON 3 ON 4 OFF	2 ON 3 OFF 4 ON	2 ON 3 OFF 4 OFF	2 OFF 3 ON 4 ON	2 OFF 3 ON 4 OFF	2 OFF 3 OFF 4 ON	2 OFF 3 OFF 4 OFF

LIGHT SENSITIVITY
 SWITCHES 5-7

Night	Dusk	*Twilight	Sunset	Disable
5 ON 6 ON 7 ON	5 ON 6 ON 7 OFF	5 OFF 6 ON 7 OFF	5 ON 6 OFF 7 OFF	5 OFF 6 OFF 7 OFF

PC-08 SPECIFICATIONS



PC-08 PHOTOCELL DUSK TO DAWN SWITCH

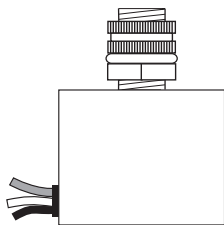
- 120V Only
- Switches Light On at Night, Off During Daytime
- Constructed of Durable Plastic
- Nuts & O-Ring Included
- Standard Pack QTY: 250



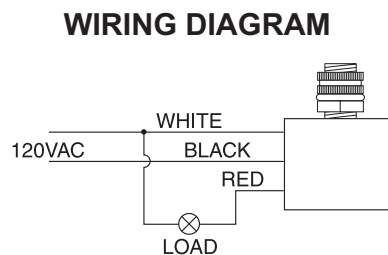
SPECIFICATIONS

- Input Voltage: 120VAC; 60hz
- Maximum Output: 300W Incandescent 39W LED & Fluorescent*
- Optional Swivel Hood Eliminates Strobing (03-003 Sold Separately)
- Electronic Circuit With Mechanical Switching Relay
- 14" Lead Length
- UR CUR Recognized

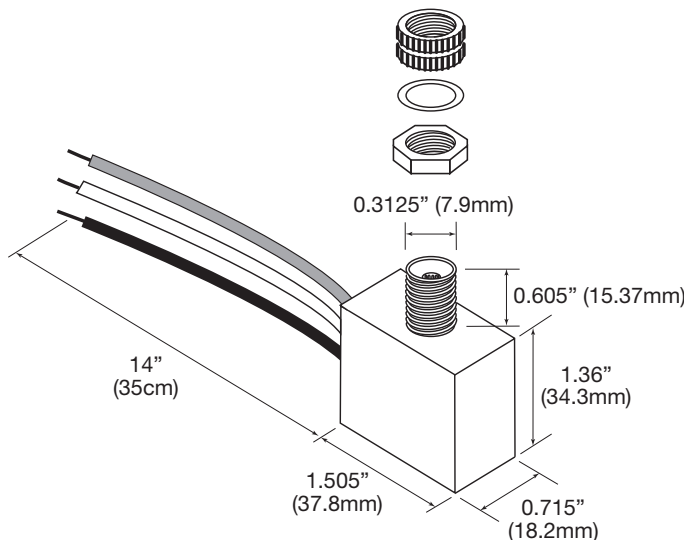
FRONT (SWITCH) SURFACE



WIRING DIAGRAM

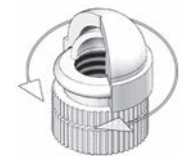


SWITCH DIAGRAM

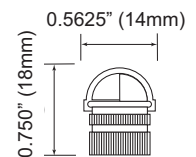


OPTIONAL SWIVEL HOOD FOR PHOTOCELL

- Fully adjustable 2 piece cover helps to eliminate strobing caused by reflected light
- Fits PC-08 dusk to dawn switch & NS2B Sensor
- Available in Black (03-003) or White (03-003WHT)
- Sold Separately



Rotates 360°



IMPORTANT: *SEE ARRAY SPECIFICATIONS FOR PHOTOCELL COMPATIBILITY

RESIDENTIAL POSTS

DIRECT BURIAL RESIDENTIAL POSTS

- Fits Standard 3" Post Top Fixtures
- Textured Powder Coated Aluminum
- Inlet Hold Included
- Made in the USA



DIRECT BURIAL

GUIDE: T307-BL-CACO

Dimensions: O.D. = 2.950", I.D. = 2.850", Wall = .050"

ITEM #	COLOR	OPTION
T307-7' Post	BL-Black	CA-Crossarm
T308-8' Post	PL-White	CB-Colonial Base
T300-10' Post	ZL-Bronze	CO-Conv. Outlet PC-Photo Control

Pallet Qty: 66

Product ships via freight in pallet quantities only.

POST LENGTH	SUG. BURIAL DEPTH	PUNCH LOCATIONS
7'	18"	
8'	18"	
10'	24"	

NOTE: Posts with Crossarm, Photo Control, or Convenience Outlet come pre-punched for installation. Minor assembly required.



SAFETY NOTE: Selecting posts and electrical accessories for performance and safety requires a full understanding of various factors and conditions. Professional engineering assistance in selecting these items is highly recommended. Purchaser is responsible for meeting any and all codes and requirements. If you choose a post or electrical accessory without getting such assistance, you do so at your own risk.

POST ACCESSORY OPTIONS

CA
15" Aluminum Crossarm with Gold End Caps
Crossarm will come with color of post ordered.

CB
Colonial Style Polyethylene Slip-On Cover for Standard 3" Post I.D. = 3"
Available in black only.

CO
Grounded Convenience Outlet
120V, 15A
Grounded Conv. Outlet will come with color of post ordered.

c RL US

PC
120V Photo Control
300W Max Incandescent, 60W Max LED, 39W Max Fluorescent
Photo Control will come with color of post ordered.

c RL US

NOTE: Not all arrays are compatible with photocells. Verify array information for compatibility.

To meet U.L. and N.E.C. standards, any post designed to be mounted over 8' above ground includes a 2' x 4' Hand Hole and ground lug.

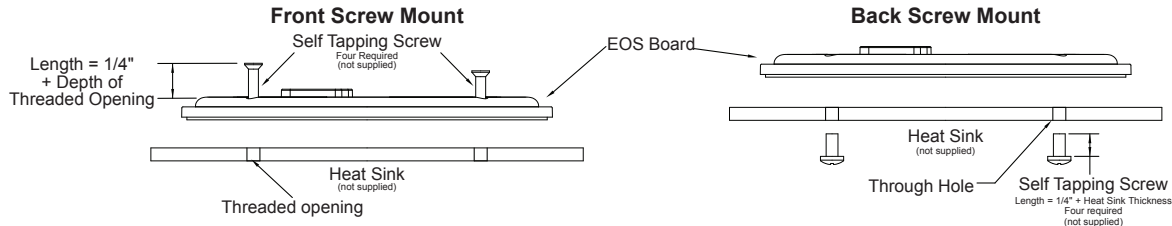
EOS LIGHT ENGINE APPLICATION & SPECIFICATION NOTES

UL Conditions of Acceptability

1. The EOS LED Light Engine may be provided with or without lead wires. In cases where lead wires are not provided, wire leads must be evaluated for proper size, operating temperature, and strain relief in final application. Wire connectors provided with the EOS LED Light Engine are rated to accept maximum 18 AWG wires.
 2. The EOS LED Light Engine is provided with a polycarbonate lens that is part of the electrical enclosure. Lens must be secured to the printed circuit board in the final application.
 3. Temperature must be considered in the final application. The following temperature ratings must not be exceeded:
 - Printed Circuit Board – 130°C
 - Polycarbonate Lens (Enclosure) – 80°C
 - Leads – as marked on the insulation
 - Connectors – 125°C
- NOTE: THE EOS LED LIGHT ENGINE MUST BE PROPERLY MOUNTED TO THERMAL DISSIPATION MATERIAL. DO NOT MOUNT THE EOS BOARD TO INSULATING MATERIAL SUCH AS GLASS, STEEL, PLASTIC, OR WOOD.**
4. **THE EOS LED LIGHT ENGINE HAS BEEN EVALUATED FOR USE IN DRY OR DAMP LOCATIONS ONLY.** The suitability of the mounting means in the end product shall be determined in the end use evaluation.
 5. All EOS LED Light Engine boards are supplied with built in surge protection that provides required transient voltage protection of 2.5Kv as outlined in ANSI/IEEE C62.41.1-2002 and considered sufficient for indoor applications.

Application Notes

1. Maximum solder point temperature of LEDs must not exceed 100°C.
2. TYPICAL MOUNTING DETAIL:



3. Product must be installed with supplied optical lens to comply with UL requirements. Lens must be hand tightened to avoid cracking.
4. EOS boards are static sensitive. They must be handled in a manner to protect them from static discharge.

IF ADDITIONAL TECHNICAL ASSISTANCE IS NEEDED, PLEASE CONTACT INTER-GLOBAL AT 1-800-325-7364.

EOS PRODUCT WARRANTY

Inter-Global warrants that its EOS product shall be free from defects in material and workmanship and will be of the designated kind and quality for a period of 5 years from the date of manufacture.

Inter-Global makes no warranty whatsoever with respect to any EOS product not installed and operated in accordance with the current edition of the National Electrical Code, the standards of safety of Underwriters Laboratories, the standards of the American National Standards Institute and specific instructions provided by Inter-Global for installation and operation including the UL conditions of acceptability.

If it appears within the said warranty period that any Inter-Global EOS product does not meet the warranty specified above, the customer must give written notice of their warranty claim and return the EOS product and heat sink with provided Return Authorization (RGA) Number, at the customer's expense to Inter-Global. If the product has failed due to defects in materials or workmanship, Inter-Global shall at its expense and option correct any defects by either repairing or replacing the defective part(s).

This warranty is not applicable to any product subjected to abnormal stresses, abuse, misuse or damage resulting from acts of god.

Inter-Global's EOS Products are designed to be operated in an ambient temperature range of -40°C (-40°F) to 40°C (105°F)

The foregoing warranty is exclusive of all other statutory written or oral warranties of any kind given or herein expressed. Inter-Global hereby disclaims any implied statutory warranty or implied warranty of merchantability or fitness for a particular purpose.

Under no circumstances whether as a result of breach of contract, breach of warranty, tort strict liability or otherwise, will Inter-Global or any distributor or sales representative be liable for consequential, incidental, special or exemplary damages, including but not limited to loss of profits, loss of use or damage to any property or equipment, cost of capital, cost of substitutes, products facilities or services, down time cost or claims of Inter-Global's customers.

The Liability of Inter-Global or any distributor or sales representative on all claims of any kind for any loss or damage arising out of, resulting from or concerning any aspect of this limited warranty, from the EOS product furnished, shall not exceed the purchase price of the specific EOS product which gives rise to the claims.

REPAIR or REPLACEMENT FOR EOS PRODUCT UNDER WARRANTY

Step 1 Contact Inter-Global within 30 days of discovery to explain the nature of the defect:

BY MAIL - Inter-Global Warranties, 6333 Etzel Avenue, St. Louis, MO 63133-1998
 BY PHONE - 1-800-325-7364
 BY FAX - 314-721-6333
 BY E-MAIL - sales@interglobal-inc.com

Step 2 You may be instructed to send some or all of the units back for evaluation. You will be given a Return Authorization (RGA) Number. This number must appear on all cartons, packaging slips, debit memos and other correspondence.

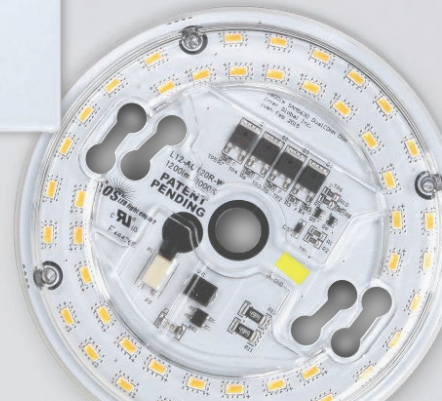
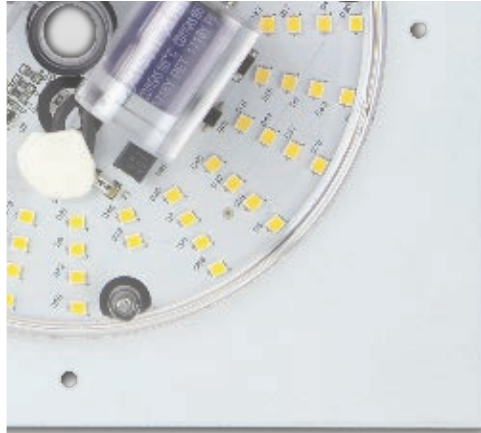
No merchandise will be accepted without a valid RGA number marking the shipment. The EOS product must be returned freight prepaid-COLLECT SHIPMENTS WILL BE REFUSED.

Step 3 The returned EOS product will be evaluated by Inter-Global to determine if it is covered under the Limited Warranty.

EOS PRODUCT UNDER WARRANTY - When all of the following conditions exist, the returned EOS product will be considered under warranty and will be repaired or replaced at the option of Inter-Global.

- A. The EOS product was manufactured less than the specific warranty period earlier than the date of return.
- B. If it is determined by Inter-Global that the EOS product was installed and operated in accordance with the current edition of the National Electrical Code, the standards for safety of Underwriter's Laboratories, Inc. the standards of the American National Standards Institute and the specific instructions provided by Inter-Global for installation and operation. (see above)
- C. The EOS product does not operate according to Inter-Global specifications, due to defects in material or workmanship.
- D. The EOS product manufacturing date code has not been altered or is not missing (DATE CODE - Each EOS product is marked with a date code in the form of a sticker or stamped into the case depending on the type of unit). The first two digits represent the year, and the next two digits represent the month of the year of manufacture.
- E. The EOS product was not damaged due to physical abuse and was returned in adequate packaging to prevent damage to it.

EOS PRODUCT NOT UNDER WARRANTY - Any EOS product determined by Inter-Global not to be under warranty will be returned to the customer (freight paid by customer), or destroyed, at the customer's option.



INTER·GLOBAL®

1.800.325.7364 sales@interglobal-inc.com
www.interglobal-inc.com

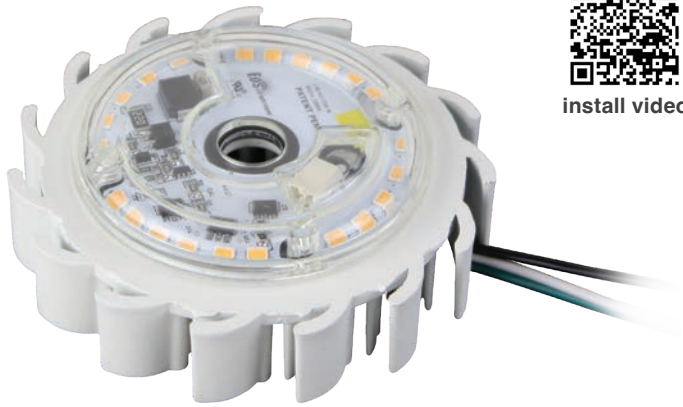
RETROFIT KITS



retrofit kit
overview

- 120VAC Input Voltage
- 3000K & 4000K Options
- 80CRI & 90CRI Models
- Electronic Dimming
- UL Classified 1598C

PUCK 3.5, 80CRI



install video

SL08 EOS LED RETROFIT KITS

- UL 1598 Classified Retrofit Kit
- AC Driver-On-Board Technology
- Data Per NVLAP Accredited Laboratory
- Electronic Dimming (see page 122)
- 5 Year Warranty*



SPECIFICATIONS

- Input Voltage: 120VAC; 50/60hz
- 13W Models
- Available In 3000K Or 4000K
- High Power Factor > 0.95
- Estimated 50,000 Hrs L70
- Optical Grade Polycarbonate Lens
- Installation Options Include Nipple Or Mounting Holes On Back
- Integrated Aluminum Heat Sink With Ground Wire
- On Board Line Surge Protection

- Can Be Used To Comply With 2016 Title 24 Part 6 High Efficacy LED Light Source Requirements In Outdoor Applications
- 18 AWG Leads, 18" Length
- UL 1598 Classified
- FCC Compliance Class B

*MINIMUM DIMENSION REQUIREMENTS

- Diffuser: 6.10" Dia X 3.7" Depth
- Lamp Compartment Volume: 111.6 In³

LUMENS & CCT @ 80CRI

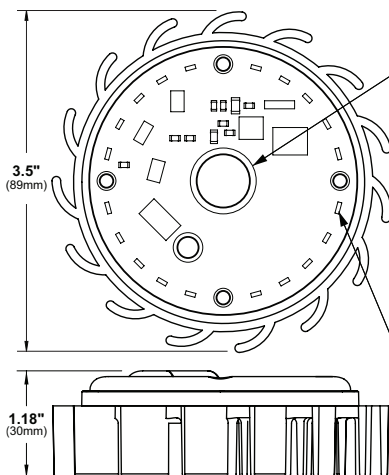
13W EOS LAMP
1140lm, 3000K = 88lm/W
1280lm, 4000K = 98lm/W

Photometrics available upon request

PART NUMBER GUIDE

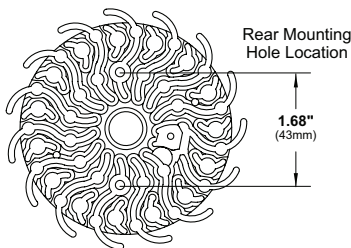
SL08 - AC120R - W

SL08 13W AC120R 120V, 80CRI W 3000K
C 4000K



MOUNTING OPTIONS

0.50" Center Mount for use with 1/8" IP nipple



OPTIONAL HARDWARE PART # 10-278
HARDWARE SOLD SEPERATELY - SEE PAGE 13

TC POINT: INSIDE LENS COVER BELOW 80°C



SL08-AC120R-W
13W, 1140LM, 3000K

SL08-AC120R-C
13W, 1280LM, 4000K

PUCK 3.5, LOW FLICKER 90CRI



SL08 LOW FLICKER EOS LED RETROFIT KITS

- UL 1598 Classified Retrofit Kit
- AC Driver-On-Board Technology
- Data Per NVLAP Accredited Laboratory
- Electronic Dimming (see page 122)
- 5 Year Warranty*



SPECIFICATIONS

- Input Voltage: 120VAC; 50/60hz
 - 12W Models
 - Available In 3000K Or 4000K
 - Constant Current Design
 - High Power Factor > 0.90
 - Estimated 50,000 Hrs L70
 - Optical Grade Polycarbonate Lens
 - Installation Options Include Nipple Or Mounting Holes On Back
 - Integrated Aluminum Heat Sink With Ground Wire
 - On Board Line Surge Protection
 - Can Be Used To Comply With 2016 Title 24 Part 6 High Efficacy LED Light Source Requirements In Outdoor Applications
 - 18 AWG Leads, 18" Length
 - UL 1598 Classified
 - FCC Compliance Class B
- *MINIMUM DIMENSION REQUIREMENTS**
- Diffuser: 6.10" Dia X 3.7" Depth
 - Lamp Compartment Volume: 111.6 In³

LUMENS & CCT @ 90CRI

12W EOS LAMP
1020lm, 3000K = 85lm/W
1040lm, 4000K = 87lm/W

Photometrics available upon request

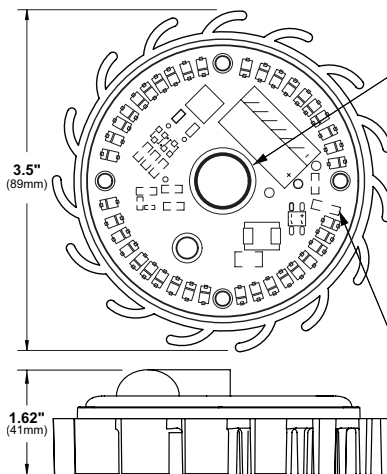
PART NUMBER GUIDE

SL08 - AC120RT - W

SL08 12W

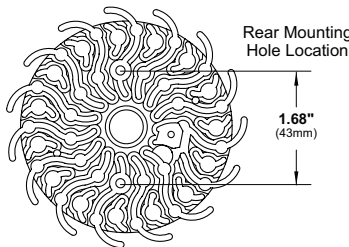
AC120RT 120V, 90CRI

W 3000K
C 4000K



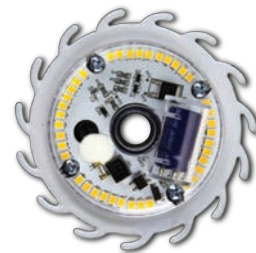
MOUNTING OPTIONS

0.50" Center Mount for use with 1/8" IP nipple



OPTIONAL HARDWARE PART # 10-278
HARDWARE SOLD SEPARATELY - SEE PAGE 13

TC POINT: INSIDE LENS COVER BELOW 80°C



SL08-AC120RT-W
12W, 1020LM, 3000K

SL08-AC120RT-C
12W, 1040LM, 4000K

PUCK 6, 80CRI



install video

SL12 EOS LED RETROFIT KITS

- UL 1598 Classified Retrofit Kit
- AC Driver-On-Board Technology
- Data Per NVLAP Accredited Laboratory
- Electronic Dimming (see page 122)
- 5 Year Warranty*



SPECIFICATIONS

- Input Voltage: 120VAC; 50/60hz
- 14W, 22W Models
- Available In 3000K Or 4000K
- High Power Factor > 0.95
- Estimated 50,000 Hrs L70
- Optical Grade Polycarbonate Lens
- Installation Options Include Key Hole Slots, Nipple, Or Mounting Holes On Back
- Integrated Aluminum Heat Sink With Ground Wire
- On Board Line Surge Protection
- Can Be Used To Comply With 2016 Title 24 Part 6 High Efficacy LED Light Source Requirements In Outdoor Applications
- 18 AWG Leads, 18" Length
- UL 1598 Classified
- FCC Compliance Class B

*MINIMUM DIMENSION REQUIREMENTS

- Diffuser: 6.10" Dia X 3.7" Depth
- Lamp Compartment Volume: 124.9 In³

LUMENS & CCT @ 80CRI

14W EOS LAMP
1430lm, 3000K = 102lm/W
1500lm, 4000K = 103lm/W

22W EOS LAMP
1950lm, 3000K = 88lm/W
2130lm, 4000K = 96lm/W

Photometrics available upon request

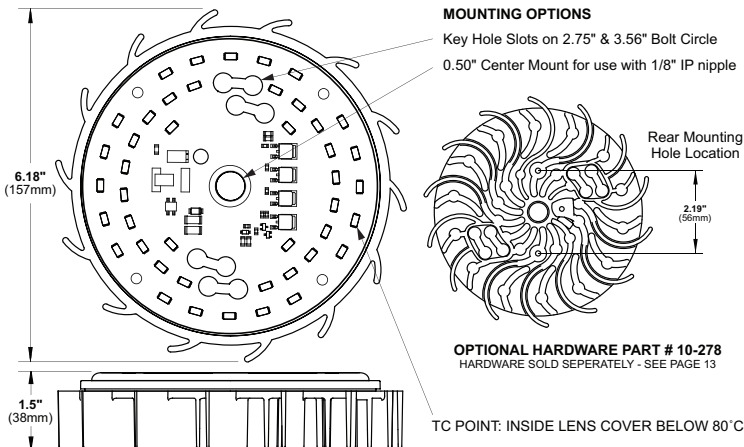
PART NUMBER GUIDE

SL12 - AC120R - W

SL12 14W
SL18 22W

AC120R 120V, 80CRI

W 3000K
C 4000K



SL12-AC120R-W
14W, 1430LM, 3000K



SL18-AC120R-W
22W, 1950LM, 3000K

SL12-AC120R-C
14W, 1500LM, 4000K

SL18-AC120R-C
22W, 2130LM, 4000K

PUCK 6, LOW FLICKER 90CRI



SL12 LOW FLICKER EOS LED RETROFIT KITS

- UL 1598 Classified Retrofit Kit
- AC Driver-On-Board Technology
- Data Per NVLAP Accredited Laboratory
- Electronic Dimming (see page 122)
- 5 Year Warranty*



SPECIFICATIONS

- Input Voltage: 120VAC; 50/60hz
 - 16W & 24W Models
 - Available In 3000K Or 4000K
 - Constant Current Design
 - High Power Factor > 0.90
 - Estimated 50,000 Hrs L70
 - Optical Grade Polycarbonate Lens
 - Installation Options Include Key Hole Slots, Nipple, Or Mounting Holes On Back
 - Integrated Aluminum Heat Sink With Ground Wire
 - On Board Line Surge Protection
 - Can Be Used To Comply With 2016 Title 24 Part 6 High Efficacy LED Light Source Requirements In Outdoor Applications
 - 18 AWG Leads, 18" Length
 - UL 1598 Classified
 - FCC Compliance Class B
- *MINIMUM DIMENSION REQUIREMENTS**
- Diffuser: 6.10" Dia X 3.7" Depth
 - Lamp Compartment Volume: 124.9 In³

LUMENS & CCT @ 90CRI

16W EOS RETROFIT
1370lm, 3000K = 86lm/W
1400lm, 4000K = 88lm/W

24W EOS RETROFIT
1980lm, 3000K = 82lm/W
2020lm, 4000K = 84lm/W

Photometrics available upon request

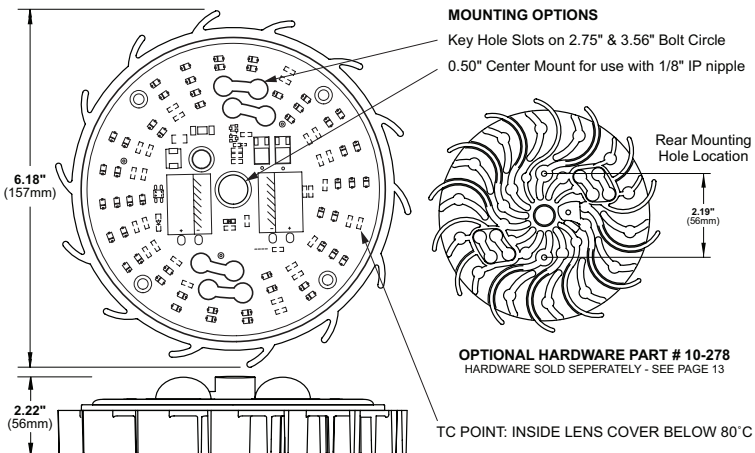
PART NUMBER GUIDE

SL12 - AC120RT - W

SL12 16W
SL18 24W

AC120RT 120V, 90CRI

W 3000K
C 4000K



SL12-AC120RT-W
16W, 1370LM, 3000K

SL12-AC120RT-C
16W, 1400LM, 4000K



SL18-AC120RT-W
24W, 1980LM, 3000K

SL18-AC120RT-C
24W, 2020LM, 4000K

RESI 6, 80CRI



install video

SL08 EOS LED RETROFIT KITS

- UL 1598 Classified Retrofit Kit
- AC Driver-On-Board Technology
- Data Per NVLAP Accredited Laboratory
- Electronic Dimming (see page 122)
- 5 Year Warranty*



SPECIFICATIONS

- Input Voltage: 120VAC; 50/60hz
- 13W, 14W, 22W Models
- Available In 3000K Or 4000K
- High Power Factor > 0.95
- Estimated 50,000 Hrs L70
- Optical Grade Polycarbonate Lens
- Installation Options Include Key Hole Slots, Nipple, Or Mounting Holes
- Integrated Aluminum Heat Sink With Ground Wire
- On Board Line Surge Protection
- Can Be Used To Comply With 2016 Title 24 Part 6 High Efficacy LED Light Source Requirements In Outdoor Applications
- 18 AWG Leads, 18" Length
- UL 1598 Classified
- FCC Compliance Class B

*MINIMUM DIMENSION REQUIREMENTS

- Diffuser: 6.2" X 6.2" X 6.8"
- Lamp Compartment Volume: 276 In³

LUMENS & CCT @ 80CRI

13W EOS RETROFIT
1140lm, 3000K = 81lm/W
1280lm, 4000K = 88lm/W
14W EOS LAMP
1430lm, 3000K = 102lm/W
1500lm, 4000K = 103lm/W
22W EOS LAMP
1950lm, 3000K = 88lm/W
2130lm, 4000K = 96lm/W

Photometrics available upon request

PART NUMBER GUIDE

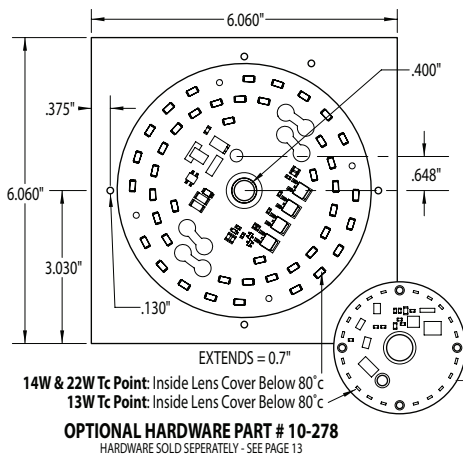
SL08 - AC120R - W - M807PL

SL08 13W
SL12 14W
SL18 22W

AC120R 120V, 80CRI

W 3000K
C 4000K

M807PL HEAT SINK#



SL08-AC120R-W-M807PL
13W, 1140LM, 3000K



SL12-AC120R-W-M807PL
14W, 1430LM, 3000K



SL18-AC120R-W-M807PL
22W, 1950LM, 3000K

SL08-AC120R-C-M807PL
13W, 1280LM, 4000K

SL12-AC120R-C-M807PL
14W, 1500LM, 4000K

SL18-AC120R-C-M807PL
22W, 2130LM, 4000K

RESI 6, LOW FLICKER 90CRI



install video

SL08 LOW FLICKER EOS LED RETROFIT KITS

- UL 1598 Classified Retrofit Kit
- AC Driver-On-Board Technology
- Data Per NVLAP Accredited Laboratory
- Electronic Dimming (see page 122)
- 5 Year Warranty*



SPECIFICATIONS

- Input Voltage: 120VAC; 50/60hz
- 12W, 16W, 24W Models
- Available In 3000K Or 4000K
- Constant Current Design
- High Power Factor > 0.90
- Estimated 50,000 Hrs L70
- Optical Grade Polycarbonate Lens
- Installation Options Include Key Hole Slots, Nipple, Or Mounting Holes
- Integrated Aluminum Heat Sink With Ground Wire

- On Board Line Surge Protection
- Can Be Used To Comply With 2016 Title 24 Part 6 High Efficacy LED Light Source Requirements In Outdoor Applications
- 18 AWG Leads, 18" Length
- UL 1598 Classified
- FCC Compliance Class B

*MINIMUM DIMENSION REQUIREMENTS

- Diffuser: 6.2" x 6.2" x 6.8"
- Lamp Compartment Volume: 276 in³

LUMENS & CCT @ 90CRI

12W EOS RETROFIT
1020lm, 3000K = 85lm/W
1040lm, 4000K = 87lm/W

16W EOS LAMP
1370lm, 3000K = 86lm/W
1400lm, 4000K = 88lm/W

24W EOS LAMP
1980lm, 3000K = 82lm/W
2020lm, 4000K = 84lm/W

Photometrics available upon request

PART NUMBER GUIDE

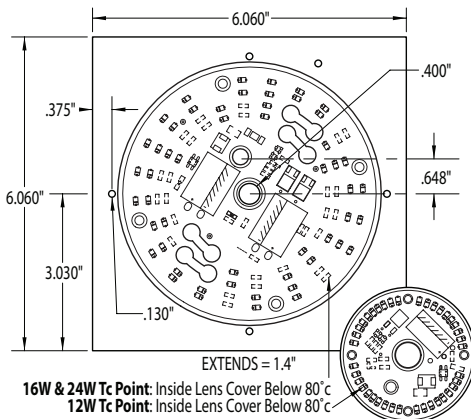
SL08 - AC120RT - W - M807PL

SL08 12W
SL12 16W
SL18 24W

AC120RT 120V, 90CRI

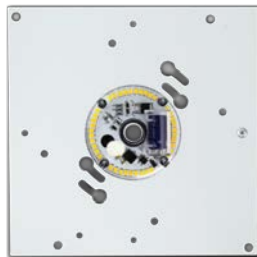
W 3000K
C 4000K

M807PL HEAT SINK#



16W & 24W Tc Point: Inside Lens Cover Below 80°C
12W Tc Point: Inside Lens Cover Below 80°C

OPTIONAL HARDWARE PART # 10-278
HARDWARE SOLD SEPARATELY - SEE PAGE 13



SL08-AC120RT-W-M807PL
12W, 1020LM, 3000K



SL12-AC120RT-W-M807PL
16W, 1370LM, 3000K



SL18-AC120RT-W-M807PL
24W, 1980LM, 3000K

SL08-AC120RT-C-M807PL
12W, 1040LM, 4000K

SL12-AC120RT-C-M807PL
16W, 1400LM, 4000K

SL18-AC120RT-C-M807PL
24W, 2020LM, 4000K

RESI 8, 80CRI



install video

SL08 EOS LED RETROFIT KITS

- UL 1598 Classified Retrofit Kit
- AC Driver-On-Board Technology
- Data Per NVLAP Accredited Laboratory
- Electronic Dimming (see page 122)
- 5 Year Warranty*



SPECIFICATIONS

- Input Voltage: 120VAC; 50/60hz
- 13W, 14W, 22W Models
- Available In 3000K Or 4000K
- High Power Factor > 0.95
- Estimated 50,000 Hrs L70
- Optical Grade Polycarbonate Lens
- Installation Options Include Key Hole Slots, Nipple, Or Mounting Holes
- Integrated Aluminum Heat Sink With Ground Wire
- On Board Line Surge Protection
- Can Be Used To Comply With 2016 Title 24 Part 6 High Efficacy LED Light Source Requirements In Outdoor Applications
- 18 AWG Leads, 18" Length
- UL 1598 Classified
- FCC Compliance Class B

*MINIMUM DIMENSION REQUIREMENTS

- Diffuser: 8.2" x 8.2" x 2.0"
- Lamp Compartment Volume: 140 in³

LUMENS & CCT @ 80CRI

Model	1300lm, 3000K = 81lm/W	1280lm, 4000K = 88lm/W
13W EOS RETROFIT		
14W EOS LAMP	1430lm, 3000K = 102lm/W	1500lm, 4000K = 103lm/W
22W EOS LAMP	1950lm, 3000K = 88lm/W	2130lm, 4000K = 96lm/W

Photometrics available upon request

PART NUMBER GUIDE

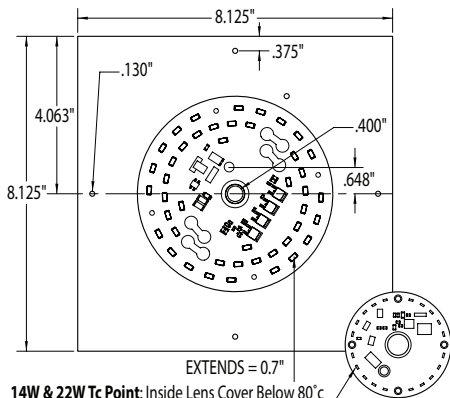
SL08 - AC120R - W - M804PL

SL08 13W
SL12 14W
SL18 22W

AC120R 120V, 80CRI

W 3000K
C 4000K

M804PL HEAT SINK#



14W & 22W Tc Point: Inside Lens Cover Below 80°C
13W Tc Point: Inside Lens Cover Below 80°C
OPTIONAL HARDWARE PART # 10-278
HARDWARE SOLD SEPARATELY - SEE PAGE 13



SL08-AC120R-W-M804PL
13W, 1140LM, 3000K



SL12-AC120R-W-M804PL
14W, 1430LM, 3000K



SL18-AC120R-W-M804PL
22W, 1950LM, 3000K

SL08-AC120R-C-M804PL
13W, 1280LM, 4000K

SL12-AC120R-C-M804PL
14W, 1500LM, 4000K

SL18-AC120R-C-M804PL
22W, 2130LM, 4000K

RESI 8, LOW FLICKER 90CRI



install video

SL08 LOW FLICKER EOS LED RETROFIT KITS

- UL 1598 Classified Retrofit Kit
- AC Driver-On-Board Technology
- Data Per NVLAP Accredited Laboratory
- Electronic Dimming (see page 122)
- 5 Year Warranty*



SPECIFICATIONS

- Input Voltage: 120VAC; 50/60hz
- 12W, 16W, 24W Models
- Available In 3000K Or 4000K
- Constant Current Design
- High Power Factor > 0.90
- Estimated 50,000 Hrs L70
- Optical Grade Polycarbonate Lens
- Installation Options Include Key Hole Slots, Nipple, Or Mounting Holes
- Integrated Aluminum Heat Sink With Ground Wire

- On Board Line Surge Protection
- Can Be Used To Comply With 2016 Title 24 Part 6 High Efficacy LED Light Source Requirements In Outdoor Applications
- 18 AWG Leads, 18" Length
- UL 1598 Classified
- FCC Compliance Class B

*MINIMUM DIMENSION REQUIREMENTS

- Diffuser: 8.2" x 8.2" x 2.0"
- Lamp Compartment Volume: 140 in³

LUMENS & CCT @ 90CRI

12W EOS RETROFIT
1020lm, 3000K = 85lm/W
1040lm, 4000K = 87lm/W

16W EOS LAMP
1370lm, 3000K = 86lm/W
1400lm, 4000K = 88lm/W

24W EOS LAMP
1980lm, 3000K = 82lm/W
2020lm, 4000K = 84lm/W

Photometrics available upon request

PART NUMBER GUIDE

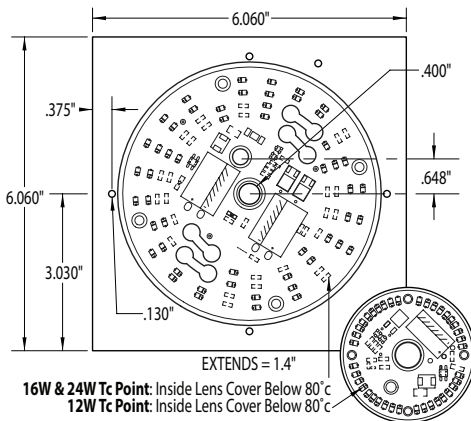
SL08 - AC120RT - W - M804PL

SL08 12W
SL12 16W
SL18 24W

AC120RT 120V, 90CRI

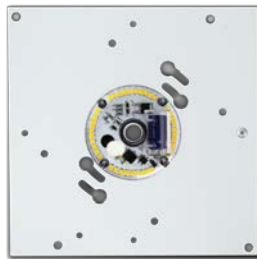
W 3000K
C 4000K

M804PL HEAT SINK#



16W & 24W Tc Point: Inside Lens Cover Below 80°C
12W Tc Point: Inside Lens Cover Below 80°C

OPTIONAL HARDWARE PART # 10-278
HARDWARE SOLD SEPARATELY - SEE PAGE 13



SL08-AC120RT-W-M807PL
12W, 1020LM, 3000K

SL08-AC120RT-C-M807PL
12W, 1040LM, 4000K



SL12-AC120RT-W-M807PL
16W, 1370LM, 3000K

SL12-AC120RT-C-M807PL
16W, 1400LM, 4000K



SL18-AC120RT-W-M807PL
24W, 1980LM, 3000K

SL18-AC120RT-C-M807PL
24W, 2020LM, 4000K

RESI 10, 80CRI



install video

SL18 EOS LED RETROFIT KITS

- ◊ UL 1598 Classified Retrofit Kit
- ◊ AC Driver-On-Board Technology
- ◊ Data Per NVLAP Accredited Laboratory
- ◊ Electronic Dimming (see page 122)
- ◊ 5 Year Warranty*



SPECIFICATIONS

- ◊ Input Voltage: 120VAC; 50/60hz
- ◊ 13W, 14W, 22W, 32W Models
- ◊ Available In 3000K Or 4000K
- ◊ High Power Factor > 0.95
- ◊ Estimated 50,000 Hrs L70
- ◊ Optical Grade Polycarbonate Lens
- ◊ Installation Options Include Key Hole Slots, Nipple, Or Mounting Holes
- ◊ Integrated Aluminum Heat Sink With Ground Wire
- ◊ On Board Line Surge Protection

- ◊ Can Be Used To Comply With 2016 Title 24 Part 6 High Efficacy LED Light Source Requirements In Outdoor Applications
- ◊ 18 AWG Leads, 18" Length
- ◊ UL 1598 Classified
- ◊ FCC Compliance Class B

*MINIMUM DIMENSION REQUIREMENTS

- Diffuser: 14" x 14" x 3.75"
- Lamp Compartment Volume: 277 in³

LUMENS & CCT @ 80CRI

13W EOS RETROFIT
1140lm, 3000K = 81lm/W
1280lm, 4000K = 88lm/W

14W EOS LAMP
1430lm, 3000K = 102lm/W
1500lm, 4000K = 103lm/W

22W EOS LAMP
1950lm, 3000K = 88lm/W
2130lm, 4000K = 96lm/W

32W EOS LAMP
2700lm, 3000K = 84lm/W
2750lm, 4000K = 86lm/W

Photometrics available upon request

PART NUMBER GUIDE

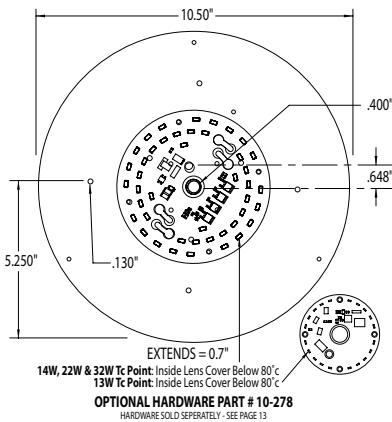
SL18 - AC220R - W - M802PL

SL08 13W
SL12 14W
SL18 22W
SL26 32W

AC120R 120V, 80CRI

W 3000K
C 4000K

M802PL HEAT SINK#



SL08-AC120R-W-M802PL
13W, 1140LM, 3000K



SL12-AC120R-W-M802PL
14W, 1430LM, 3000K



SL18-AC120R-W-M802PL
22W, 1950LM, 3000K



SL26-AC120R-W-M802PL
32W, 2700LM, 3000K

SL08-AC120R-C-M802PL
13W, 1280LM, 4000K

SL12-AC120R-C-M802PL
14W, 1500LM, 4000K

SL18-AC120R-C-M802PL
22W, 2130LM, 4000K

SL26-AC120R-C-M802PL
32W, 2750LM, 4000K

RESI 10, LOW FLICKER 90CRI



install video

SL08 LOW FLICKER EOS LED RETROFIT KITS

- UL 1598 Classified Retrofit Kit
- AC Driver-On-Board Technology
- Data Per NVLAP Accredited Laboratory
- Electronic Dimming (see page 122)
- 5 Year Warranty*



SPECIFICATIONS

- Input Voltage: 120VAC; 50/60hz
- 12W, 16W, 24W, & 31W Models
- Available In 3000K Or 4000K
- Constant Current Design
- High Power Factor > 0.90
- Estimated 50,000 Hrs L70
- Optical Grade Polycarbonate Lens
- Installation Options Include Key Hole Slots, Nipple, Or Mounting Holes
- Integrated Aluminum Heat Sink With Ground Wire

- On Board Line Surge Protection
- Can Be Used To Comply With 2016 Title 24 Part 6 High Efficacy LED Light Source Requirements In Outdoor Applications
- 18 AWG Leads, 18" Length
- UL 1598 Classified
- FCC Compliance Class B

*MINIMUM DIMENSION REQUIREMENTS

- Diffuser: 14" x 14" x 3.75"
- Lamp Compartment Volume: 277 in³

LUMENS & CCT @ 90CRI

12W EOS RETROFIT
1020lm, 3000K = 85lm/W
1040lm, 4000K = 87lm/W

16W EOS LAMP
1370lm, 3000K = 86lm/W
1400lm, 4000K = 88lm/W

24W EOS LAMP
1980lm, 3000K = 82lm/W
2020lm, 4000K = 84lm/W

31W EOS LAMP
2750lm, 3000K = 90lm/W
2850lm, 4000K = 92lm/W

Photometrics available upon request

PART NUMBER GUIDE

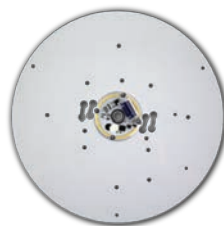
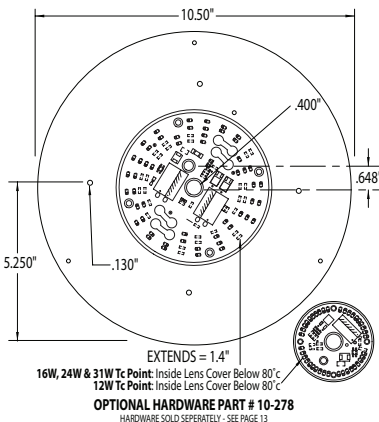
SL08 - AC120RT - W - M802PL

SL08 12W
SL12 16W
SL18 24W
SL26 31W

AC120RT 120V, 90CRI

W 3000K
C 4000K

M802PL HEAT SINK#



SL08-AC120RT-W-M802PL
12W, 1020LM, 3000K



SL12-AC120RT-W-M802PL
16W, 1370LM, 3000K



SL18-AC120RT-W-M802PL
24W, 1980LM, 3000K



SL26-AC120RT-W-M802PL
31W, 2750LM, 3000K

SL08-AC120RT-C-M802PL
12W, 1040LM, 4000K

SL12-AC120RT-C-M802PL
16W, 1400LM, 4000K

SL18-AC120RT-C-M802PL
24W, 2020LM, 4000K

SL26-AC120RT-C-M802PL
31W, 2850LM, 4000K



INTER·GLOBAL®

1.800.325.7364 sales@interglobal-inc.com
www.interglobal-inc.com

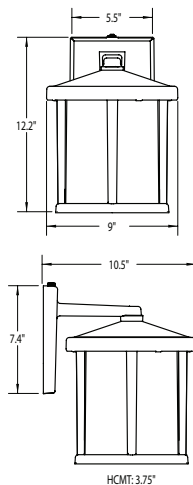
OUTDOOR FIXTURES

- LED & Incandescent
- 120V & Multivolt Options
- Wall, Ceiling, & Post-Top
- Non-Corrosive
- Fade & Rust Resistant
- Emergency Backup, Photocell, Motion Sensor, & Security Sensor Options



FH100 HORIZON

- Fade & Rust Resistant Composite Construction
- UL Listed for Wet Locations
- Mounting Hardware Included

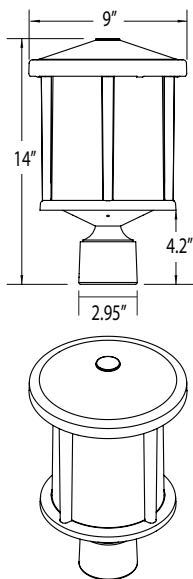


EXAMPLE # FH100-I60-ZF-LWE

STYLE #	LIGHT SOURCE	BODY	DIFFUSER	OPTIONS
FH100	DEDICATED 120V LED	B-Black W-White Z-Bronze	ACRYLIC C-Clear F-Frost	P-Photocell 120V only. See page 18 for details. S-Security Motion Sensor & Photocell Combo. 120V only. See page 14. P-Photocell 120V only. See page 18 for details. S-Security Motion Sensor & Photocell Combo. 120V only. See page 14. LED LAMP, 3 YEAR WARRANTY, DIMMABLE LWE-A19/E26, 90CRI, 3000K LCE-A19/E26, 80CRI, 4000K
	EOS LED 120V AC, 50/60 Hz, HPF, 50,000 HRS L70, AMBIENT OP TEMP -40°C TO +40°C, 5 YEAR WARRANTY, DIMMABLE LE800 - 13W, 80 CRI W-1140lm 3000K >88 Lumens Per Watt** C-1280lm 4000K			
	LE1200 - 14W, 80 CRI W-1430lm 3000K >102 Lumens Per Watt** C-1500lm 4000K			
	INCANDESCENT 120V			
	INCANDESCENT, MEDIUM BASE, 120V I60-1 X 60W Max			

See page 122 for dimmer compatibility. Data per LM79/LM80/TM21 available upon request. **Estimated from LED source. Fixtures available with custom packaging options, assembled or knocked down. MOQS apply. Specification subject to change without notice.





FH200 HORIZON POST

- Fade & Rust Resistant Composite Construction
- UL Listed for Wet Locations
- Fits 3" Diameter Post



SEE PAGE 19 FOR POSTS

EXAMPLE # FH200-I60-ZF-LWE

STYLE #	LIGHT SOURCE	BODY	DIFFUSER	OPTIONS	
FH200	DEDICATED 120V LED	B-Black W-White Z-Bronze	ACRYLIC C-Clear F-Frost	N/A	
	EOS LED 120V AC, 50/60 Hz, HPF, 50,000 HRS L70, AMBIENT OP TEMP -40°C TO +40°C, 5 YEAR WARRANTY, DIMMABLE				
	LE800 - 13W, 80 CRI >88 Lumens Per Watt**				W-1140lm 3000K C-1280lm 4000K
	LE1200 - 14W, 80 CRI >102 Lumens Per Watt**				W-1430lm 3000K C-1500lm 4000K
	INCANDESCENT 120V				
	INCANDESCENT, MEDIUM BASE, 120V I60-1 X 60W Max			LED LAMP, 3 YEAR WARRANTY DIMMABLE LWE-A19/E26, 90CRI, 3000K LCE-A19/E26, 80CRI, 4000K	

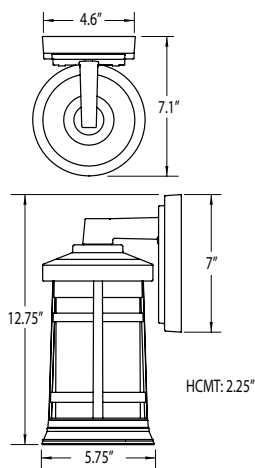
See page 122 for dimmer compatibility. Data per LM79/LM80/TM21 available upon request. **Estimated from LED source. Fixtures available with custom packaging options, assembled or knocked down. MOQS apply. Specification subject to change without notice.





FH102 HIGHLAND SMALL

- Fade & Rust Resistant Composite Construction
- UL Listed for Wet Locations
- Mounting Hardware Included

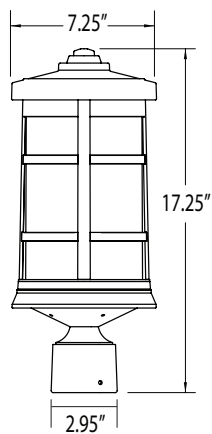


EXAMPLE # FH102-I60-ZF-LWE

STYLE #	LIGHT SOURCE	BODY	DIFFUSER	OPTIONS
FH102	DEDICATED 120V LED EOS LED 120V AC, 50/60 Hz, HPF, 50,000 HRS L70, AMBIENT OP TEMP -40°C TO +40°C, 5 YEAR WARRANTY, DIMMABLE LE800 - 13W, 80 CRI W-1140lm 3000K >88 Lumens Per Watt** C-1280lm 4000K	B-Black W-White Z-Bronze	ACRYLIC C-Clear F-Frost	P-Photocell 120V only. See page 18 for details. S-Security Motion Sensor & Photocell Combo. 120V only. See page 14.
	INCANDESCENT 120V INCANDESCENT, MEDIUM BASE, 120V I60-1 X 60W Max			P-Photocell 120V only. See page 18 for details. S-Security Motion Sensor & Photocell Combo. 120V only. See page 14. LED LAMP, 3 YEAR WARRANTY, DIMMABLE LWE-A19/E26, 90CRI, 3000K LCE-A19/E26, 80CRI, 4000K

See page 122 for dimmer compatibility. Data per LM79/LM80/TM21 available upon request. **Estimated from LED source. Fixtures available with custom packaging options, assembled or knocked down. MOQS apply. Specification subject to change without notice.





FH203 HIGHLAND POST

- Fade & Rust Resistant Composite Construction
- UL Listed for Wet Locations
- Fits 3" Diameter Post



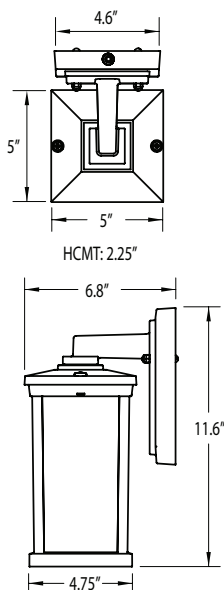
EXAMPLE # FH203-I60-ZF-LWE

SEE PAGE 19 FOR POSTS

STYLE #	LIGHT SOURCE	BODY	DIFFUSER	OPTIONS
FH203	DEDICATED 120V LED EOS LED 120V AC, 50/60 Hz, HPF, 50,000 HRS L70, AMBIENT OP TEMP -40°C TO +40°C, 5 YEAR WARRANTY, DIMMABLE LE800 - 13W, 80 CRI W-1140lm 3000K >88 Lumens Per Watt** C-1280lm 4000K	B-Black W-White Z-Bronze	ACRYLIC C-Clear F-Frost	N/A
	INCANDESCENT 120V INCANDESCENT, MEDIUM BASE, 120V I60-1 X 60W Max			
				LED LAMP, 3 YEAR WARRANTY DIMMABLE LWE-A19/E26, 90CRI, 3000K LCE-A19/E26, 80CRI, 4000K

See page 122 for dimmer compatibility. Data per LM79/LM80/TM21 available upon request. **Estimated from LED source. Fixtures available with custom packaging options, assembled or knocked down. MOQs apply. Specification subject to change without notice.





FH145 HUTTON SMALL

- Fade & Rust Resistant Composite Construction
- UL Listed for Wet Locations
- Mounting Hardware Included

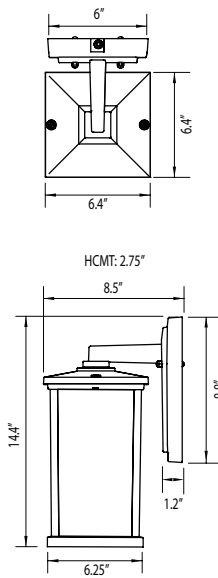


EXAMPLE # FH145-I60-ZF-LWE

STYLE #	LIGHT SOURCE	BODY	DIFFUSER	OPTIONS
FH145	DEDICATED 120V LED EOS LED 120V AC, 50/60 Hz, HPF, 50,000 HRS L70, AMBIENT OP TEMP -40°C TO +40°C, 5 YEAR WARRANTY, DIMMABLE LE800 - 13W, 80 CRI W-1140lm 3000K >88 Lumens Per Watt** C-1280lm 4000K	B-Black W-White Z-Bronze	ACRYLIC C-Clear F-Frost	P-Photocell 120V only. See page 18 for details. S-Security Motion Sensor & Photocell Combo. 120V only. See page 14.
	INCANDESCENT 120V INCANDESCENT, MEDIUM BASE, 120V I60-1 X 60W Max			P-Photocell 120V only. See page 18 for details. S-Security Motion Sensor & Photocell Combo. 120V only. See page 14. LED LAMP, 3 YEAR WARRANTY, DIMMABLE LWE-A19/E26, 90CRI, 3000K LCE-A19/E26, 80CRI, 4000K

See page 122 for dimmer compatibility. Data per LM79/LM80/TM21 available upon request. **Estimated from LED source. Fixtures available with custom packaging options, assembled or knocked down. MOQS apply. Specification subject to change without notice.





FH146 HUTTON LARGE

- Fade & Rust Resistant Composite Construction
- UL Listed for Wet Locations
- Mounting Hardware Included

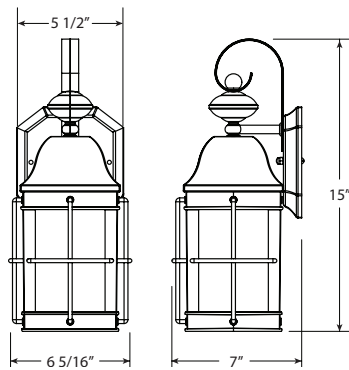


EXAMPLE # FH146-I60-ZF-LWE

STYLE #	LIGHT SOURCE	BODY	DIFFUSER	OPTIONS
FH146	DEDICATED 120V LED EOS LED 120V AC, 50/60 Hz, HPF, 50,000 HRS L70, AMBIENT OP TEMP -40°C TO +40°C, 5 YEAR WARRANTY, DIMMABLE LE800 - 13W, 80 CRI W-1140lm 3000K >88 Lumens Per Watt** C-1280lm 4000K	B-Black W-White Z-Bronze	ACRYLIC C-Clear F-Frost	P-Photocell 120V only. See page 18 for details. S-Security Motion Sensor & Photocell Combo. 120V only. See page 14.
	INCANDESCENT 120V INCANDESCENT, MEDIUM BASE, 120V I60-1 X 60W Max			P-Photocell 120V only. See page 18 for details. S-Security Motion Sensor & Photocell Combo. 120V only. See page 14. LED LAMP, 3 YEAR WARRANTY, DIMMABLE LWE-A19/E26, 90CRI, 3000K LCE-A19/E26, 80CRI, 4000K

See page 122 for dimmer compatibility. Data per LM79/LM80/TM21 available upon request. **Estimated from LED source. Fixtures available with custom packaging options, assembled or knocked down. MOQS apply. Specification subject to change without notice.





HCMT: 6 1/2"

FR121 STAGECOACH

- Fade & Rust Resistant Composite Construction
- UL Listed for Wet Locations
- Wall Mount Only
- Mounting Hardware Included



EXAMPLE # FR121-LE800C-BCP

STYLE #	LIGHT SOURCE	BODY	DIFFUSER	OPTIONS
FR121	DEDICATED 120V LED	B-Black W-White Z-Bronze	ACRYLIC C-Clear F-Frost	P-Photocell 120V only. See page 18 for details. S-Security Motion Sensor & Photocell Combo. 120V only. See page 14.
	EOS LED 120V AC, 50/60 Hz, HPF, 50,000 HRS L70, AMBIENT OP TEMP -40°C TO +40°C, 5 YEAR WARRANTY, DIMMABLE LE800 - 13W, 80 CRI W-1140lm 3000K >88 Lumens Per Watt** C-1280lm 4000K			
FR121	INCANDESCENT 120V	B-Black W-White Z-Bronze	ACRYLIC C-Clear F-Frost	P-Photocell 120V only. See page 18 for details. S-Security Motion Sensor & Photocell Combo. 120V only. See page 14.
	INCANDESCENT, MEDIUM BASE, 120V I60-1 X 60W Max			
LED LAMP, 3 YEAR WARRANTY, DIMMABLE LWE-A19/E26, 90CRI, 3000K LCE-A19/E26, 80CRI, 4000K				

See page 122 for dimmer compatibility. Data per LM79/LM80/TM21 available upon request. **Estimated from LED source. Fixtures available with custom packaging options, assembled or knocked down. MOQs apply. Specification subject to change without notice.





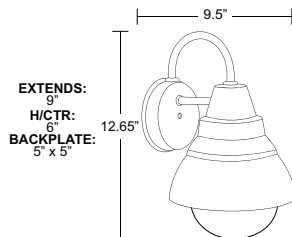
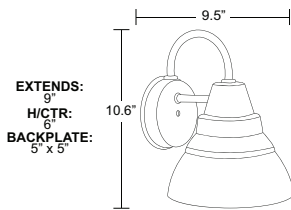
SHOWN WITHOUT DIFFUSER



SHOWN WITH DIFFUSER

FN110 BELLE

- Fade & Rust Resistant Composite Construction
- UL Listed for Wet Locations
- Mounting Hardware Included
- Open Bottom (When Ordered Without Diffuser)

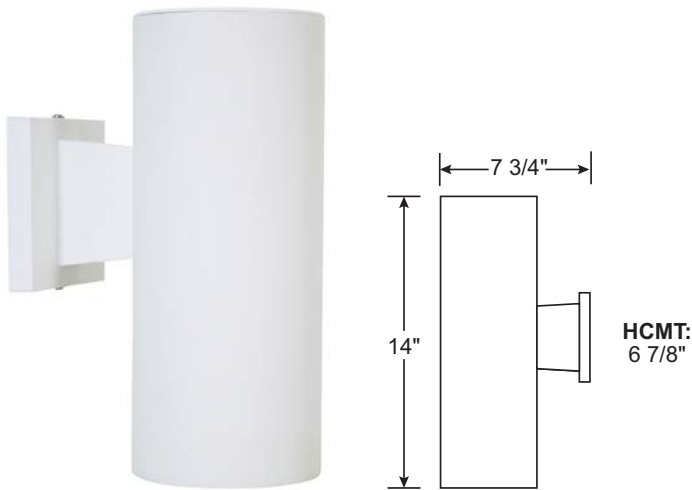


EXAMPLE # FN110-I40-ZW-LWE

STYLE #	LIGHT SOURCE	BODY	DIFFUSER	OPTIONS
FN110	DEDICATED 120V LED	B-Black W-White Z-Bronze	ACRYLIC N-No Diffuser W-White Not Available with Dedicated LED	P-Photocell 120V only. See page 18 for details. S-Security Motion Sensor & Photocell Combo. 120V only. See page 14.
	EOS LED 120V AC, 50/60 Hz, HPF, 50,000 HRS L70, AMBIENT OP TEMP -40°C TO +40°C, 5 YEAR WARRANTY, DIMMABLE LE700 - 10W, 80 CRI W-642lm 3000K >70 Lumens Per Watt** C-679lm 4000K			
	INCANDESCENT 120V			P-Photocell 120V only. See page 18 for details. S-Security Motion Sensor & Photocell Combo. 120V only. See page 14.
	INCANDESCENT, MEDIUM BASE, 120V I40-1 X 40W Max			LED LAMP, 3 YEAR WARRANTY, DIMMABLE LWE-A19/E26, 90CRI, 3000K LCE-A19/E26, 80CRI, 4000K

See page 122 for dimmer compatibility. Data per LM79/LM80/TM21 available upon request. **Estimated from LED source. Fixtures available with custom packaging options, assembled or knocked down. MOQS apply. Specification subject to change without notice.





FD136 DIRECT / INDIRECT CYLINDER

- Fade & Rust Resistant Composite Construction
- UL Listed for Wet Locations
- Up & Down Light
- Tempered Glass Lens Top / Open Bottom
- Mounting Hardware Included

EXAMPLE # FD136-I265-BKG-LWE

STYLE #	LIGHT SOURCE	BODY	OPTIONS
FD136	INCANDESCENT 120V	BKG-Black WHG-White	LED LAMP, 120V, 3 YEAR WARRANTY, DIMMABLE LWE-A19/E26, 90CRI, 3000K LCE-A19/E26, 80CRI, 4000K
	INCANDESCENT, MEDIUM BASE I265-2 X 65W Max PAR 30		

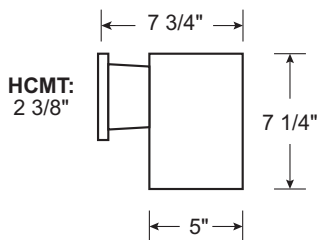
See page 122 for dimmer compatibility. Data per LM79/LM80/TM21 available upon request. Fixtures available with custom packaging options, assembled or knocked down. MOQS apply. Specification subject to change without notice.





FD134 TURTLE & DARK SKY FRIENDLY

- ◊ Fade & Rust Resistant Composite Construction
- ◊ UL Listed for Wet Locations
- ◊ Turtle & Dark Sky Friendly
- ◊ FWC Compliant When Ordered w/LA Amber Option
- ◊ Down Light Only
- ◊ Open Bottom
- ◊ Mounting Hardware Included

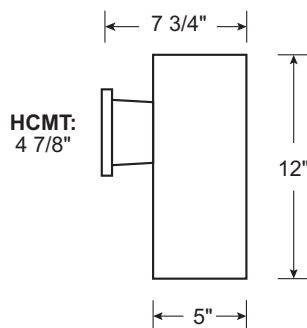


EXAMPLE # FD134-I75-BK-LWE

STYLE #	LIGHT SOURCE	BODY	OPTIONS
FD134	INCANDESCENT 120V	BK-Black WH-White	LED LAMP, 120V, 3 YEAR WARRANTY, DIMMABLE
	INCANDESCENT, MEDIUM BASE I75-1 X 75W Max PAR 30		LWE-A19/E26, 90CRI, 3000K LCE-A19/E26, 80CRI, 4000K
			AMBER LED CORN COB, 100-277V, 5 YEAR WARRANTY LA-E26, 1600K, 590nm FWC COMPLIANT

See page 122 for dimmer compatibility. Data per LM79/LM80/TM21 available upon request. Fixtures available with custom packaging options, assembled or knocked down. MOQS apply. Specification subject to change without notice.





FD135 TURTLE & DARK SKY FRIENDLY

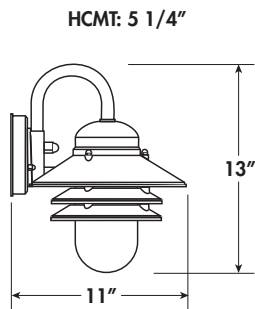
- ◊ Fade & Rust Resistant Composite Construction
- ◊ UL Listed for Wet Locations
- ◊ Turtle & Dark Sky Friendly
- ◊ FWC Compliant When Ordered w/LA Amber Option
- ◊ Open Bottom
- ◊ Down Light Only
- ◊ Mounting Hardware Included

EXAMPLE # FD135-I75-BK-LWE

STYLE #	LIGHT SOURCE	BODY	OPTIONS
FD135	INCANDESCENT 120V	BK-Black WH-White	LED LAMP, 120V, 3 YEAR WARRANTY, DIMMABLE
	INCANDESCENT, MEDIUM BASE I75-1 X 75W Max PAR 30		LWE-A19/E26, 90CRI, 3000K LCE-A19/E26, 80CRI, 4000K
			AMBER LED CORN COB, 100-277V, 5 YEAR WARRANTY LA-E26, 1600K, 590nm FWC COMPLIANT

See page 122 for dimmer compatibility. Data per LM79/LM80/TM21 available upon request. Fixtures available with custom packaging options, assembled or knocked down. MOQS apply. Specification subject to change without notice.





FN151 NAUTICAL

- Fade & Rust Resistant Composite Construction
- UL Listed for Wet Locations
- Mounting Hardware Included



EXAMPLE # FN151-I60-BW-PLWE

STYLE #	LIGHT SOURCE	BODY	DIFFUSER	OPTIONS
FN151	DEDICATED 120V LED EOS LED 120V AC, 50/60 Hz, HPF, 50,000 HRS L70, AMBIENT OP TEMP -40°C TO +40°C, 5 YEAR WARRANTY, DIMMABLE LE800 - 13W, 80 CRI >88 Lumens Per Watt**	B-Black W-White	ACRYLIC C-Clear Prism W-White	P-Photocell 120V only. See page 18 for details. S-Security Motion Sensor & Photocell Combo. 120V only. See page 14.
	MULTI-VOLT 120-277V LED MULTI-VOLT LED 120-277V, 50/60 Hz, CONSTANT CURRENT AT 700mA, DRIVER UL CLASS 2, HPF, THERMALLY PROTECTED ARRAY, 50,000 HRS L70* AMBIENT OP TEMP -40°C TO +40°C, 3 YEAR WARRANTY L900 - 11.3W Power Input CRI 74 (TYP) >80 Lumens Per Watt**			S-Security Motion Sensor & Photocell Combo. See page 16.
	INCANDESCENT 120V INCANDESCENT, MEDIUM BASE I60-1 X 60W			P-Photocell 120V only. See page 18 for details. S-Security Motion Sensor & Photocell Combo. 120V only. See page 14.
				LED LAMP, 3 YEAR WARRANTY, DIMMABLE LWE-A19/E26, 90CRI, 3000K LCE-A19/E26, 80CRI, 4000K

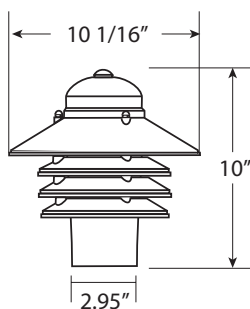
See page 122 for dimmer compatibility. Data per LM79/LM80/TM21 available upon request. **Estimated from LED source. Fixtures available with custom packaging options, assembled or knocked down. MOQS apply. Specification subject to change without notice.





FN253 NAUTICAL

- Fade & Rust Resistant Composite Construction
- UL Listed for Wet Locations
- Fits 3" Diameter Post



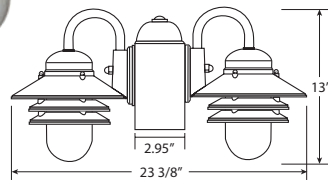
SEE PAGE 19 FOR POSTS

EXAMPLE # FN253-LE800C-BC

STYLE #	LIGHT SOURCE	BODY	DIFFUSER	OPTIONS
FN253	DEDICATED 120V LED	B-Black W-White	POLYCARBONATE C-Clear Prism	N/A
	EOS LED 120V AC, 50/60 Hz, HPF, 50,000 HRS L70, AMBIENT OP TEMP -40°C TO +40°C, 5 YEAR WARRANTY, DIMMABLE			
	LE800 - 13W, 80 CRI >88 Lumens Per Watt**			
	INCANDESCENT 120V			
	INCANDESCENT, MEDIUM BASE, 120V			
	I60-1 X 60W Max			LED LAMP, 3 YEAR WARRANTY DIMMABLE LWE-A19/E26, 90CRI, 3000K LCE-A19/E26, 80CRI, 4000K

See page 122 for dimmer compatibility. Data per LM79/LM80/TM21 available upon request. **Estimated from LED source. Fixtures available with custom packaging options, assembled or knocked down. MOQS apply. Specification subject to change without notice.





FN252 NAUTICAL

- Fade & Rust Resistant Composite Construction
- UL Listed for Wet Locations
- Fits 3" Diameter Post



SEE PAGE 19 FOR POSTS

EXAMPLE # FN252-I260-BW-PLWE

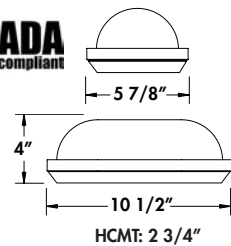
STYLE #	LIGHT SOURCE	BODY	DIFFUSER	OPTIONS
FN252	DEDICATED 120V LED EOS LED 120V AC, 50/60 Hz, HPF, 50,000 HRS L70, AMBIENT OP TEMP -40°C TO +40°C, 5 YEAR WARRANTY, DIMMABLE LE1600 - 2 X 13W, Power Input 80 CRI >65 Lumens Per Watt** W-1800lm 3000K C-2000lm 4000K	B-Black W-White	ACRYLIC C-Clear Prism W-White	P-Photocell 120V only. See page 18 for details.
	MULTI-VOLT 120-277V LED MULTI-VOLT LED 120-277V, 50/60 Hz, CONSTANT CURRENT AT 700mA, DRIVER UL CLASS 2, HPF, THERMALLY PROTECTED ARRAY, 50,000 HRS L70* AMBIENT OP TEMP -40°C TO +40°C, 3 YEAR WARRANTY L1800 - 22W Power Input CRI 74 (TYP) >82 Lumens Per Watt** C-1824lm 4000K			N/A
	INCANDESCENT 120V INCANDESCENT, MEDIUM BASE, 120V I260-1 X 60W			W-White B-Black

See page 122 for dimmer compatibility. Data per LM79/LM80/TM21 available upon request. **Estimated from LED source. Fixtures available with custom packaging options, assembled or knocked down. MOQS apply. Specification subject to change without notice.





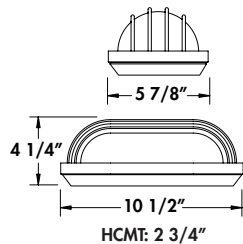
FE101



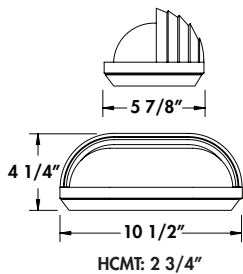
FE101 | FE102 | FE103 | FE104 RESIDENTIAL EUROSTYLE

- Fade & Rust Resistant Composite Construction
- UL Listed for Wet Locations
- Polycarbonate Lens & Base
- Wall Mount Only
- Mounting Hardware Included

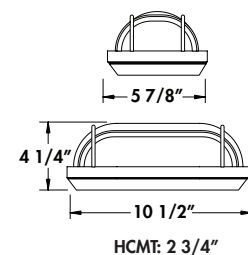
FE102



FE103



FE104



EXAMPLE # FE101-I60-BF-LWE

STYLE #	LIGHT SOURCE	BODY	DIFFUSER	OPTIONS
FE101	INCANDESCENT 120V	B-Black	POLYCARBONATE	S -Security Motion Sensor & Photocell Combo. 120V only. See page 16. LED LAMP, 3 YEAR WARRANTY DIMMABLE LWE -A19/E26, 80CRI, 3000K LCE -A19/E26, 80CRI, 4000K
FE102	INCANDESCENT, MEDIUM BASE, 120V	W-White	F-Frost	
FE103	I60-1 X 60W Max			
FE104				

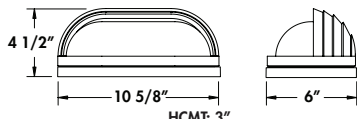
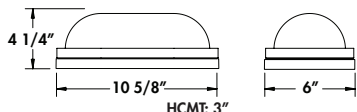
FE101 is ADA Compliant. See page 122 for dimmer compatibility. Data per LM79/LM80/TM21 available upon request. Fixtures available with custom packaging options, assembled or knocked down. MOQS apply. Specification subject to change without notice.





FE111

FE113



FE111 | FE113 COMMERCIAL EUROSTYLE

- ◊ Fade & Rust Resistant Composite Construction
- ◊ UL Listed for Wet Locations
- ◊ Polycarbonate Lens & Aluminum Base
- ◊ Wall Mount Only
- ◊ Mounting Hardware Included



EXAMPLE # FE111-L900C-BF

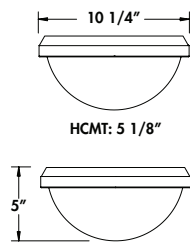
STYLE #	LIGHT SOURCE	BODY	DIFFUSER	OPTIONS
FE111 FE113	<p>DEDICATED 120V LED</p> <p>EOS LED 120V AC, 50/60 Hz, HPF, 50,000 HRS L70, AMBIENT OP TEMP -40°C TO +40°C, 5 YEAR WARRANTY, DIMMABLE</p> <p>LE800 - 13W, 80 CRI >88 Lumens Per Watt**</p> <p>W-1140lm 3000K C-1280lm 4000K</p>	<p>B-Black W-White</p>	<p>POLYCARBONATE F-Frost</p>	<p>P-Photocell 120V only. See page 18 for details. S-Security Motion Sensor & Photocell Combo. 120V only. See page 16.</p>
	<p>MULTI-VOLT 120-277V LED</p> <p>MULTI-VOLT LED 120-277V, 50/60 Hz, CONSTANT CURRENT AT 700mA, DRIVER UL CLASS 2, HPF, THERMALLY PROTECTED ARRAY, 50,000 HRS L70* AMBIENT OP TEMP -40°C TO +40°C, 3 YEAR WARRANTY</p> <p>L900 - 11.3W Power Input CRI 74 (TYP) >80 Lumens Per Watt**</p> <p>C-912lm 4000K</p>			

See page 122 for dimmer compatibility. Data per LM79/LM80/TM21 available upon request. **Estimated from LED source. Fixtures available with custom packaging options, assembled or knocked down. MOQs apply. Specification subject to change without notice.

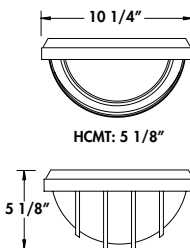




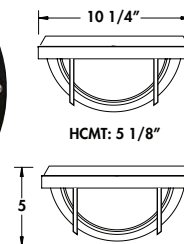
FE351



FE352



FE353



FE351 | FE352 | FE353 RESIDENTIAL EUROSTYLE

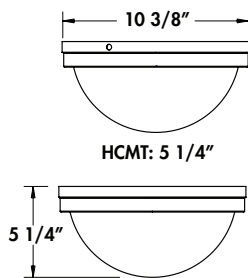
- ◊ Fade & Rust Resistant Composite Construction
- ◊ UL Listed for Wet Locations
- ◊ Polycarbonate Lens & Base
- ◊ Ceiling or Wall Mount
- ◊ Mounting Hardware Included

EXAMPLE # FE351-I75-BF-LWE

STYLE #	LIGHT SOURCE	BODY	DIFFUSER	OPTIONS
FE351	INCANDESCENT 120V	B-Black	POLYCARBONATE	S -Security Motion Sensor & Photocell Combo. 120V only. See page 16. LED LAMP, 3 YEAR WARRANTY DIMMABLE LWE -A19/E26, 80CRI, 3000K LCE -A19/E26, 80CRI, 4000K
FE352	INCANDESCENT, MEDIUM BASE, 120V	W-White	F-Frost	
FE353	I75-1 X 75W Max			

See page 122 for dimmer compatibility. Data per LM79/LM80/TM21 available upon request. Fixtures available with custom packaging options, assembled or knocked down. MOQS apply. Specification subject to change without notice.





FE361 COMMERCIAL EUROSTYLE

- ◊ Fade & Rust Resistant Composite Construction
- ◊ UL Listed for Wet Locations
- ◊ Polycarbonate Lens & Aluminum Base
- ◊ Ceiling or Wall Mount
- ◊ Mounting Hardware Included

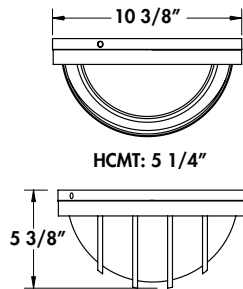


EXAMPLE # FE361-LE800C-BFP

STYLE #	LIGHT SOURCE	BODY	DIFFUSER	OPTIONS	
FE361	DEDICATED 120V LED	B-Black W-White	POLYCARBONATE F-Frost	P-Photocell 120V only. See page 18 for details. S-Security Motion Sensor & Photocell Combo. 120V only. See page 14.	
	EOS LED 120V AC, 50/60 Hz, HPF, 50,000 HRS L70, AMBIENT OP TEMP -40°C TO +40°C, 5 YEAR WARRANTY, DIMMABLE				
	LE800 - 13W, 80 CRI >88 Lumens Per Watt**				W-1140lm 3000K C-1280lm 4000K
	LE1200 - 14W, 80 CRI >102 Lumens Per Watt**				W-1430lm 3000K C-1500lm 4000K
FE361	LE1800 - 22W, 80 CRI >88 Lumens Per Watt**	W-1950lm 3000K C-2130lm 4000K			
	MULTI-VOLT 120-277V LED			S-Security Motion Sensor & Photocell Combo. See page 16.	
	MULTI-VOLT LED 120-277V, 50/60 Hz, CONSTANT CURRENT AT 700mA, DRIVER UL CLASS 2, HPF, THERMALLY PROTECTED ARRAY, 50,000 HRS L70* AMBIENT OP TEMP -40°C TO +40°C, 3 YEAR WARRANTY				
L1800 - 22W, 80 CRI CRI 74 (TYP) >88 Lumens Per Watt**	W-1704lm 3000K C-1824lm 4000K				

See page 122 for dimmer compatibility. Data per LM79/LM80/TM21 available upon request. **Estimated from LED source. Fixtures available with custom packaging options, assembled or knocked down. MOQS apply. Specification subject to change without notice.





FE362 COMMERCIAL EUROSTYLE

- ◊ Fade & Rust Resistant Composite Construction
- ◊ UL Listed for Wet Locations
- ◊ Polycarbonate Lens & Aluminum Base
- ◊ Ceiling or Wall Mount
- ◊ Mounting Hardware Included

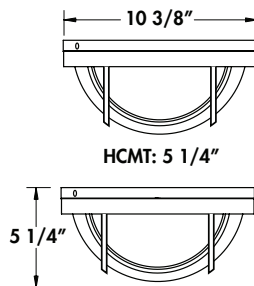


EXAMPLE # FE362-LE800C-BFP

STYLE #	LIGHT SOURCE	BODY	DIFFUSER	OPTIONS	
FE362	DEDICATED 120V LED	B-Black W-White	POLYCARBONATE F-Frost	P-Photocell 120V only. See page 18 for details. S-Security Motion Sensor & Photocell Combo. 120V only. See page 14.	
	EOS LED 120V AC, 50/60 Hz, HPF, 50,000 HRS L70, AMBIENT OP TEMP -40°C TO +40°C, 5 YEAR WARRANTY, DIMMABLE				
	LE800 - 13W, 80 CRI >88 Lumens Per Watt**				W-1140lm 3000K C-1280lm 4000K
	LE1200 - 14W, 80 CRI >102 Lumens Per Watt**				W-1430lm 3000K C-1500lm 4000K
FE362	LE1800 - 22W, 80 CRI >88 Lumens Per Watt**	W-1950lm 3000K C-2130lm 4000K			
	MULTI-VOLT 120-277V LED			S-Security Motion Sensor & Photocell Combo. See page 16.	
	MULTI-VOLT LED 120-277V, 50/60 Hz, CONSTANT CURRENT AT 700mA, DRIVER UL CLASS 2, HPF, THERMALLY PROTECTED ARRAY, 50,000 HRS L70* AMBIENT OP TEMP -40°C TO +40°C, 3 YEAR WARRANTY				
L1800 - 22W, 80 CRI CRI 74 (TYP) >88 Lumens Per Watt**	W-1704lm 3000K C-1824lm 4000K				

See page 122 for dimmer compatibility. Data per LM79/LM80/TM21 available upon request. **Estimated from LED source. Fixtures available with custom packaging options, assembled or knocked down. MOQs apply. Specification subject to change without notice.





FE363 COMMERCIAL EUROSTYLE

- ◊ Fade & Rust Resistant Composite Construction
- ◊ UL Listed for Wet Locations
- ◊ Polycarbonate Lens & Aluminum Base
- ◊ Ceiling or Wall Mount
- ◊ Mounting Hardware Included

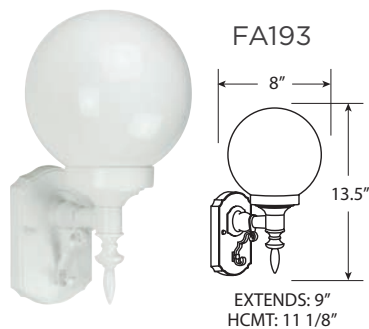


EXAMPLE # FE363-LE800C-BF

STYLE #	LIGHT SOURCE	BODY	DIFFUSER	OPTIONS					
FE363	DEDICATED 120V LED EOS LED 120V AC, 50/60 Hz, HPF, 50,000 HRS L70, AMBIENT OP TEMP -40°C TO +40°C, 5 YEAR WARRANTY, DIMMABLE	B-Black W-White	POLYCARBONATE F-Frost	P-Photocell 120V only. See page 18 for details. S-Security Motion Sensor & Photocell Combo. 120V only. See page 14. EB-Emergency Backup See page 123.					
	<table border="0"> <tr> <td>LE800</td> <td>- 13W, 80 CRI >88 Lumens Per Watt**</td> <td>W-1140lm 3000K C-1280lm 4000K</td> </tr> <tr> <td>LE1200</td> <td>- 14W, 80 CRI >102 Lumens Per Watt**</td> <td>W-1430lm 3000K C-1500lm 4000K</td> </tr> <tr> <td>LE1800</td> <td>- 22W, 80 CRI >88 Lumens Per Watt**</td> <td>W-1950lm 3000K C-2130lm 4000K</td> </tr> </table>				LE800	- 13W, 80 CRI >88 Lumens Per Watt**	W-1140lm 3000K C-1280lm 4000K	LE1200	- 14W, 80 CRI >102 Lumens Per Watt**
LE800	- 13W, 80 CRI >88 Lumens Per Watt**	W-1140lm 3000K C-1280lm 4000K							
LE1200	- 14W, 80 CRI >102 Lumens Per Watt**	W-1430lm 3000K C-1500lm 4000K							
LE1800	- 22W, 80 CRI >88 Lumens Per Watt**	W-1950lm 3000K C-2130lm 4000K							
	MULTI-VOLT 120-277V LED MULTI-VOLT LED 120-277V, 50/60 Hz, CONSTANT CURRENT AT 700mA, DRIVER UL CLASS 2, HPF, THERMALLY PROTECTED ARRAY, 50,000 HRS L70* AMBIENT OP TEMP -40°C TO +40°C, 3 YEAR WARRANTY			S-Security Motion Sensor & Photocell Combo. See page 16.					
	<table border="0"> <tr> <td>L1800</td> <td>- 22W, 80 CRI CRI 74 (TYP) >88 Lumens Per Watt**</td> <td>W-1704lm 3000K C-1824lm 4000K</td> </tr> </table>	L1800	- 22W, 80 CRI CRI 74 (TYP) >88 Lumens Per Watt**	W-1704lm 3000K C-1824lm 4000K					
L1800	- 22W, 80 CRI CRI 74 (TYP) >88 Lumens Per Watt**	W-1704lm 3000K C-1824lm 4000K							

See page 122 for dimmer compatibility. Data per LM79/LM80/TM21 available upon request. **Estimated from LED source. Fixtures available with custom packaging options, assembled or knocked down. MOQS apply. Specification subject to change without notice.





FA192 | FA193 AMHERST WALL

- ◊ Fade & Rust Resistant Composite Construction
- ◊ UL Listed for Wet Locations
- ◊ Wall Mount Only
- ◊ Mounting Hardware Included



EXAMPLE # FA192-I75-BW-PLWE

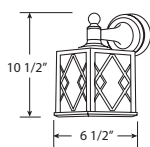
STYLE #	LIGHT SOURCE	BODY	DIFFUSER	OPTIONS
FA192 FA193	INCANDESCENT 120V INCANDESCENT, MEDIUM BASE, 120V I75-1 X 75W Max	B-Black W-White	ACRYLIC C-Clear Prism W-White	P-Photocell 120V only. See page 18 for details. LED LAMP, 3 YEAR WARRANTY, DIMMABLE LWE-A19/E26, 90CRI, 3000K LCE-A19/E26, 80CRI, 4000K

See page 122 for dimmer compatibility. Data per LM79/LM80/TM21 available upon request. Fixtures available with custom packaging options, assembled or knocked down. MOQs apply. Specification subject to change without notice.





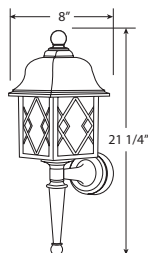
FR111



EXTENDS: 8 1/2"
HCMT: 2 3/4"



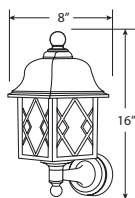
FR113



EXTENDS: 8 1/2"
HCMT: 13 1/4"



FR112



EXTENDS: 8 1/2"
HCMT: 13 1/4"

FR111 | FR112 | FR113 HATCH WALL

- Fade & Rust Resistant Composite Construction
- UL Listed for Wet Locations
- Wall Mount Only
- Mounting Hardware Included

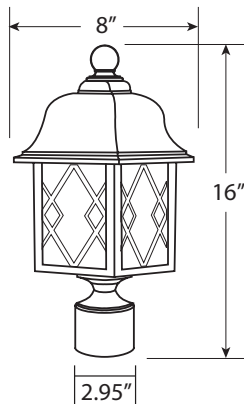


EXAMPLE # FR111-I60-BC-PLWE

STYLE #	LIGHT SOURCE	BODY	DIFFUSER	OPTIONS
FR111 FR112 FR113	DEDICATED 120V LED	B-Black W-White	ACRYLIC C-Clear F-Frost	P-Photocell 120V only. See page 18 for details. S-Security Motion Sensor & Photocell Combo. 120V only. See page 14.
	EOS LED 120V AC, 50/60 Hz, HPF, 50,000 HRS L70, AMBIENT OP TEMP -40°C TO +40°C, 5 YEAR WARRANTY, DIMMABLE			
	LE800 - 13W, 80 CRI >88 Lumens Per Watt**			
	INCANDESCENT 120V			P-Photocell 120V only. See page 18 for details. S-Security Motion Sensor & Photocell Combo. 120V only. See page 14.
	INCANDESCENT, MEDIUM BASE, 120V I60-1 X 60W Max			LED LAMP, 3 YEAR WARRANTY, DIMMABLE LWE-A19/E26 , 90CRI, 3000K LCE-A19/E26 , 80CRI, 4000K

See page 122 for dimmer compatibility. Data per LM79/LM80/TM21 available upon request. **Estimated from LED source. Fixtures available with custom packaging options, assembled or knocked down. MOQS apply. Specification subject to change without notice.





FR211 HATCH POST

- Fade & Rust Resistant Composite Construction
- UL Listed for Wet Locations
- Fits 3" Diameter Post



EXAMPLE # FR211-LE800C-BC

SEE PAGE 19 FOR POSTS

STYLE #	LIGHT SOURCE	BODY	DIFFUSER	OPTIONS
FR211	DEDICATED 120V LED	B-Black W-White	ACRYLIC C-Clear F-Frost	N/A
	EOS LED 120V AC, 50/60 Hz, HPF, 50,000 HRS L70, AMBIENT OP TEMP -40°C TO +40°C, 5 YEAR WARRANTY, DIMMABLE			
	LE800 - 13W, 80 CRI >88 Lumens Per Watt**			
	INCANDESCENT 120V			
	INCANDESCENT, MEDIUM BASE, 120V I60-1 X 60W Max			LED LAMP, 3 YEAR WARRANTY DIMMABLE LWE-A19/E26, 90CRI, 3000K LCE-A19/E26, 80CRI, 4000K

See page 122 for dimmer compatibility. Data per LM79/LM80/TM21 available upon request. **Estimated from LED source. Fixtures available with custom packaging options, assembled or knocked down. MOQS apply. Specification subject to change without notice.





EXTENDS: 8.5"
SHORT & LONG
TAIL INCLUDED



EXTENDS: 8.5"
HCMT: 9"

FG100 8" GLOBE WALL

- Fade & Rust Resistant Composite Construction
- UL Listed for Wet Locations
- Wall Mount Only
- Mounting Hardware Included



EXAMPLE # FG100-I75-BW-LWE

STYLE #	LIGHT SOURCE	BODY	DIFFUSER	OPTIONS
FG100	INCANDESCENT 120V	B-Black	ACRYLIC	LED LAMP, 3 YEAR WARRANTY, DIMMABLE
	INCANDESCENT, MEDIUM BASE, 120V I75-1 X 75W Max	W-White	C-Clear Prism W-White	LWE-A19/E26, 90CRI, 3000K LCE-A19/E26, 80CRI, 4000K

See page 122 for dimmer compatibility. Data per LM79/LM80/TM21 available upon request. Fixtures available with custom packaging options, assembled or knocked down. MOQS apply. Specification subject to change without notice.





FC159 | FC160 CAMBRIDGE WALL

- Fade & Rust Resistant Composite Construction
- UL Listed for Wet Locations
- Wall Mount Only
- Mounting Hardware Included

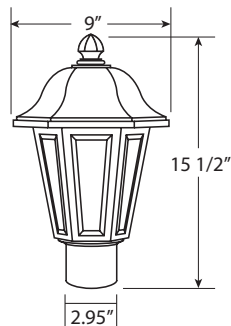


EXAMPLE # FC159-LE800C-BCP

STYLE #	LIGHT SOURCE	BODY	DIFFUSER	OPTIONS
FC159 FC160	DEDICATED 120V LED	B-Black W-White	ACRYLIC C-Clear	P-Photocell 120V only. See page 18 for details. S-Security Motion Sensor & Photocell Combo. 120V only. See page 14.
	EOS LED 120V AC, 50/60 Hz, HPF, 50,000 HRS L70, AMBIENT OP TEMP -40°C TO +40°C, 5 YEAR WARRANTY, DIMMABLE LE800 - 13W, 80 CRI W-1140lm 3000K >88 Lumens Per Watt** C-1280lm 4000K			
	INCANDESCENT 120V			P-Photocell 120V only. See page 18 for details. S-Security Motion Sensor & Photocell Combo. 120V only. See page 14.
	INCANDESCENT, MEDIUM BASE, 120V I60-1 X 60W Max			LED LAMP, 3 YEAR WARRANTY, DIMMABLE LWE-A19/E26, 90CRI, 3000K LCE-A19/E26, 80CRI, 4000K

See page 122 for dimmer compatibility. Data per LM79/LM80/TM21 available upon request. **Estimated from LED source. Fixtures available with custom packaging options, assembled or knocked down. MOQS apply. Specification subject to change without notice.





FC259 CAMBRIDGE POST

- Fade & Rust Resistant Composite Construction
- UL Listed for Wet Locations
- Fits 3" Diameter Post



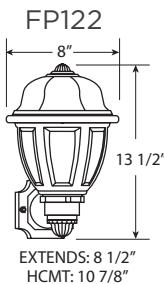
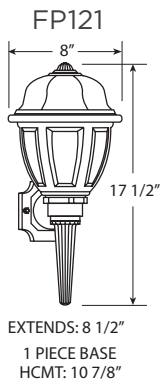
EXAMPLE # FC259-I60-BC-LCE

SEE PAGE 19 FOR POSTS

STYLE #	LIGHT SOURCE	BODY	DIFFUSER	OPTIONS
FC259	DEDICATED 120V LED	B-Black W-White	ACRYLIC C-Clear	N/A
	EOS LED 120V AC, 50/60 Hz, HPF, 50,000 HRS L70, AMBIENT OP TEMP -40°C TO +40°C, 5 YEAR WARRANTY, DIMMABLE LE800 - 13W, 80 CRI W-1140lm 3000K >88 Lumens Per Watt** C-1280lm 4000K			
FC259	INCANDESCENT 120V	B-Black W-White	ACRYLIC C-Clear	LED LAMP, 3 YEAR WARRANTY DIMMABLE LWE-A19/E26, 90CRI, 3000K LCE-A19/E26, 80CRI, 4000K
	INCANDESCENT, MEDIUM BASE, 120V I60-1 X 60W Max			

See page 122 for dimmer compatibility. Data per LM79/LM80/TM21 available upon request. **Estimated from LED source. Fixtures available with custom packaging options, assembled or knocked down. MOQs apply. Specification subject to change without notice.





FP121 | FP122 PRINCETON WALL

- ◊ Fade & Rust Resistant Composite Construction
- ◊ UL Listed for Wet Locations
- ◊ Wall Mount Only
- ◊ Mounting Hardware Included

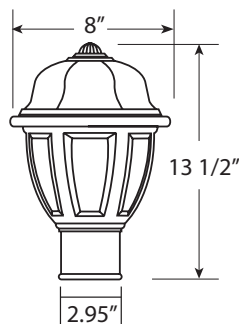


EXAMPLE # FP121-LE800C-BCP

STYLE #	LIGHT SOURCE	BODY	DIFFUSER	OPTIONS
FP121 FP122	DEDICATED 120V LED EOS LED 120V AC, 50/60 Hz, HPF, 50,000 HRS L70, AMBIENT OP TEMP -40°C TO +40°C, 5 YEAR WARRANTY, DIMMABLE LE800 - 13W, 80 CRI W-1140lm 3000K >88 Lumens Per Watt** C-1280lm 4000K	B-Black W-White	ACRYLIC C-Clear	P-Photocell 120V only. See page 18 for details. S-Security Motion Sensor & Photocell Combo. 120V only. See page 14.
	INCANDESCENT 120V INCANDESCENT, MEDIUM BASE, 120V I60-1 X 60W Max			P-Photocell 120V only. See page 18 for details. S-Security Motion Sensor & Photocell Combo. 120V only. See page 14. LED LAMP, 3 YEAR WARRANTY, DIMMABLE LWE-A19/E26, 90CRI, 3000K LCE-A19/E26, 80CRI, 4000K

See page 122 for dimmer compatibility. Data per LM79/LM80/TM21 available upon request. **Estimated from LED source. Fixtures available with custom packaging options, assembled or knocked down. MOQs apply. Specification subject to change without notice.





FP221 PRINCETON POST

- Fade & Rust Resistant Composite Construction
- UL Listed for Wet Locations
- Fits 3" Diameter Post



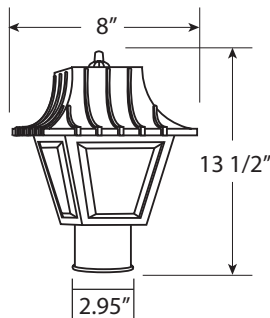
SEE PAGE 19 FOR POSTS

EXAMPLE # FP221-I60-BC-LWE

STYLE #	LIGHT SOURCE	BODY	DIFFUSER	OPTIONS
FP221	DEDICATED 120V LED	B-Black W-White	ACRYLIC C-Clear	N/A
	EOS LED 120V AC, 50/60 Hz, HPF, 50,000 HRS L70, AMBIENT OP TEMP -40°C TO +40°C, 5 YEAR WARRANTY, DIMMABLE LE800 - 13W, 80 CRI W-1140lm 3000K >88 Lumens Per Watt** C-1280lm 4000K			
FP221	INCANDESCENT 120V	B-Black W-White	ACRYLIC C-Clear	LED LAMP, 3 YEAR WARRANTY DIMMABLE LWE-A19/E26, 90CRI, 3000K LCE-A19/E26, 80CRI, 4000K
	INCANDESCENT, MEDIUM BASE, 120V I60-1 X 60W Max			

See page 122 for dimmer compatibility. Data per LM79/LM80/TM21 available upon request. **Estimated from LED source. Fixtures available with custom packaging options, assembled or knocked down. MOQs apply. Specification subject to change without notice.





FC234 COLONIAL POST

- Fade & Rust Resistant Composite Construction
- UL Listed for Wet Locations
- Fits 3" Diameter Post



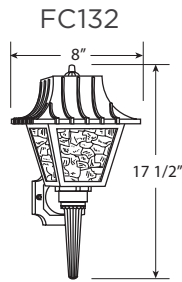
EXAMPLE # FC234-I60-BC-LWE

SEE PAGE 19 FOR POSTS

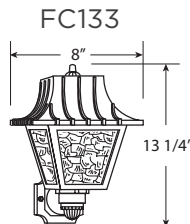
STYLE #	LIGHT SOURCE	BODY	DIFFUSER	OPTIONS
FC234	DEDICATED 120V LED	B-Black W-White	ACRYLIC C-Clear F-Frost	N/A
	EOS LED 120V AC, 50/60 Hz, HPF, 50,000 HRS L70, AMBIENT OP TEMP -40°C TO +40°C, 5 YEAR WARRANTY, DIMMABLE LE800 - 13W, 80 CRI W-1140lm 3000K >88 Lumens Per Watt** C-1280lm 4000K			
FC234	INCANDESCENT 120V	B-Black W-White	ACRYLIC C-Clear F-Frost	LED LAMP, 3 YEAR WARRANTY DIMMABLE LWE-A19/E26, 90CRI, 3000K LCE-A19/E26, 80CRI, 4000K
	INCANDESCENT, MEDIUM BASE, 120V I60-1 X 60W Max			

See page 122 for dimmer compatibility. Data per LM79/LM80/TM21 available upon request. **Estimated from LED source. Fixtures available with custom packaging options, assembled or knocked down. MOQs apply. Specification subject to change without notice.





EXTENDS: 8 1/2"
1 PIECE BASE
HCMT: 10 5/8"



EXTENDS: 8 1/2"
HCMT: 10 5/8"

FC132 | FC133 COLONIAL WALL

- ◊ Fade & Rust Resistant Composite Construction
- ◊ UL Listed for Wet Locations
- ◊ Wall Mount Only
- ◊ Mounting Hardware Included



EXAMPLE # FC132-LE800C-BCP

STYLE #	LIGHT SOURCE	BODY	DIFFUSER	OPTIONS
FC132 FC133	DEDICATED 120V LED	B-Black W-White	ACRYLIC C-Clear Flemish	P-Photocell 120V only. See page 18 for details. S-Security Motion Sensor & Photocell Combo. 120V only. See page 14.
	EOS LED 120V AC, 50/60 Hz, HPF, 50,000 HRS L70, AMBIENT OP TEMP -40°C TO +40°C, 5 YEAR WARRANTY, DIMMABLE LE800 - 13W, 80 CRI W-1140lm 3000K >88 Lumens Per Watt** C-1280lm 4000K			
	INCANDESCENT 120V			P-Photocell 120V only. See page 18 for details. S-Security Motion Sensor & Photocell Combo. 120V only. See page 14.
	INCANDESCENT, MEDIUM BASE, 120V I60-1 X 60W Max			LED LAMP, 3 YEAR WARRANTY, DIMMABLE LWE-A19/E26, 90CRI, 3000K LCE-A19/E26, 80CRI, 4000K

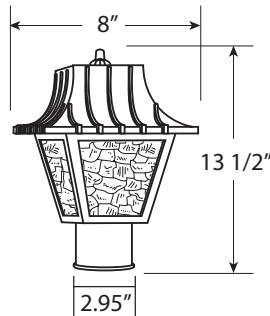
See page 122 for dimmer compatibility. Data per LM79/LM80/TM21 available upon request. **Estimated from LED source. Fixtures available with custom packaging options, assembled or knocked down. MOQs apply. Specification subject to change without notice.





FC232 COLONIAL POST

- Fade & Rust Resistant Composite Construction
- UL Listed for Wet Locations
- Fits 3" Diameter Post



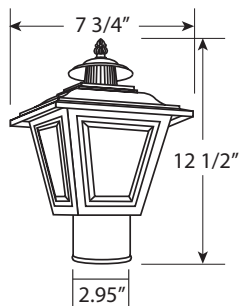
SEE PAGE 19 FOR POSTS

EXAMPLE # FC232-I60-BC-LWE

STYLE #	LIGHT SOURCE	BODY	DIFFUSER	OPTIONS
FC232	DEDICATED 120V LED	B-Black W-White	ACRYLIC C-Clear Flemish	N/A
	EOS LED 120V AC, 50/60 Hz, HPF, 50,000 HRS L70, AMBIENT OP TEMP -40°C TO +40°C, 5 YEAR WARRANTY, DIMMABLE LE800 - 13W, 80 CRI W-1140lm 3000K >88 Lumens Per Watt** C-1280lm 4000K			
FC232	INCANDESCENT 120V	B-Black W-White	ACRYLIC C-Clear Flemish	LED LAMP, 3 YEAR WARRANTY DIMMABLE LWE-A19/E26, 90CRI, 3000K LCE-A19/E26, 80CRI, 4000K
	INCANDESCENT, MEDIUM BASE, 120V I60-1 X 60W Max			

See page 122 for dimmer compatibility. Data per LM79/LM80/TM21 available upon request. **Estimated from LED source. Fixtures available with custom packaging options, assembled or knocked down. MOQs apply. Specification subject to change without notice.





FT231 TUDOR POST

- Fade & Rust Resistant Composite Construction
- UL Listed for Wet Locations
- Fits 3" Diameter Post



EXAMPLE # FT231-LE800C-BC

SEE PAGE 19 FOR POSTS

STYLE #	LIGHT SOURCE	BODY	DIFFUSER	OPTIONS
FT231	DEDICATED 120V LED	B-Black W-White	ACRYLIC C-Clear F-Frost	N/A
	EOS LED 120V AC, 50/60 Hz, HPF, 50,000 HRS L70, AMBIENT OP TEMP -40°C TO +40°C, 5 YEAR WARRANTY, DIMMABLE LE800 - 13W, 80 CRI W-1140lm 3000K >88 Lumens Per Watt** C-1280lm 4000K			
FT231	INCANDESCENT 120V			LED LAMP, 3 YEAR WARRANTY DIMMABLE LWE-A19/E26, 90CRI, 3000K LCE-A19/E26, 80CRI, 4000K
	INCANDESCENT, MEDIUM BASE, 120V I60-1 X 60W Max			

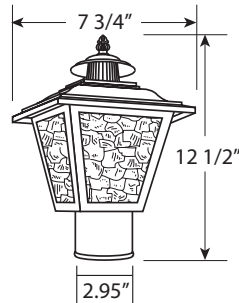
See page 122 for dimmer compatibility. Data per LM79/LM80/TM21 available upon request. **Estimated from LED source. Fixtures available with custom packaging options, assembled or knocked down. MOQS apply. Specification subject to change without notice.





FT251 TUDOR POST

- Fade & Rust Resistant Composite Construction
- UL Listed for Wet Locations
- Fits 3" Diameter Post



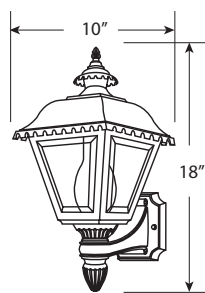
SEE PAGE 19 FOR POSTS

EXAMPLE # FT251-LE800C-BC

STYLE #	LIGHT SOURCE	BODY	DIFFUSER	OPTIONS
FT251	DEDICATED 120V LED	B-Black W-White	ACRYLIC C-Clear Flemish	N/A
	EOS LED 120V AC, 50/60 Hz, HPF, 50,000 HRS L70, AMBIENT OP TEMP -40°C TO +40°C, 5 YEAR WARRANTY, DIMMABLE LE800 - 13W, 80 CRI W-1140lm 3000K >88 Lumens Per Watt** C-1280lm 4000K			
FT251	INCANDESCENT 120V	B-Black W-White	ACRYLIC C-Clear Flemish	LED LAMP, 3 YEAR WARRANTY DIMMABLE LWE-A19/E26, 90CRI, 3000K LCE-A19/E26, 80CRI, 4000K
	INCANDESCENT, MEDIUM BASE, 120V I60-1 X 60W Max			

See page 122 for dimmer compatibility. Data per LM79/LM80/TM21 available upon request. **Estimated from LED source. Fixtures available with custom packaging options, assembled or knocked down. MOQs apply. Specification subject to change without notice.





EXTENDS: 10 1/4"
HCMT: 15"

SHOWN WITH
OPTIONAL
DECORATIVE CHIMNEY

FT171 LARGE TUDOR WALL

- ◊ Fade & Rust Resistant Composite Construction
- ◊ UL Listed for Wet Locations
- ◊ Wall Mount Only
- ◊ Mounting Hardware Included

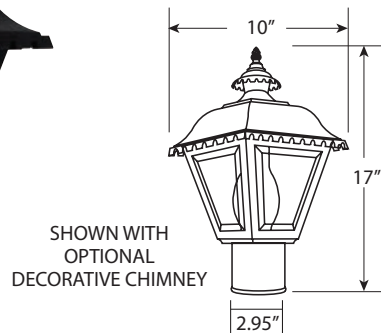


EXAMPLE # FT171-I75-BC-LWE

STYLE #	LIGHT SOURCE	BODY	DIFFUSER	OPTIONS
FT171	DEDICATED 120V LED	B-Black	ACRYLIC C-Clear F-Frost	C-Decorative Chimney S-Security Motion Sensor & Photocell Combo. 120V only. See page 14.
	EOS LED 120V AC, 50/60 Hz, HPF, 50,000 HRS L70, AMBIENT OP TEMP -40°C TO +40°C, 5 YEAR WARRANTY, DIMMABLE LE800 - 13W, 80 CRI W-1140lm 3000K >88 Lumens Per Watt** C-1280lm 4000K			
	INCANDESCENT 120V			
	INCANDESCENT, MEDIUM BASE, 120V I75-1 X 75W Max			LED LAMP, 3 YEAR WARRANTY, DIMMABLE LWE-A19/E26, 90CRI, 3000K LCE-A19/E26, 80CRI, 4000K

See page 122 for dimmer compatibility. Data per LM79/LM80/TM21 available upon request. **Estimated from LED source. Fixtures available with custom packaging options, assembled or knocked down. MOQS apply. Specification subject to change without notice.





FT271 LARGE TUDOR POST

- Fade & Rust Resistant Composite Construction
- UL Listed for Wet Locations
- Fits 3" Diameter Post



SEE PAGE 19 FOR POSTS

EXAMPLE # FT271-LE800C-BC

STYLE #	LIGHT SOURCE	BODY	DIFFUSER	OPTIONS
FT271	DEDICATED 120V LED	B-Black	ACRYLIC C-Clear F-Frost	C-Decorative Chimney
	EOS LED 120V AC, 50/60 Hz, HPF, 50,000 HRS L70, AMBIENT OP TEMP -40°C TO +40°C, 5 YEAR WARRANTY, DIMMABLE LE800 - 13W, 80 CRI W-1140lm 3000K >88 Lumens Per Watt** C-1280lm 4000K			
FT271	INCANDESCENT 120V	B-Black	ACRYLIC C-Clear F-Frost	LED LAMP, 3 YEAR WARRANTY DIMMABLE LWE-A19/E26, 90CRI, 3000K LCE-A19/E26, 80CRI, 4000K
	INCANDESCENT, MEDIUM BASE, 120V I75-1 X 75W Max			

See page 122 for dimmer compatibility. Data per LM79/LM80/TM21 available upon request. **Estimated from LED source. Fixtures available with custom packaging options, assembled or knocked down. MOQS apply. Specification subject to change without notice.



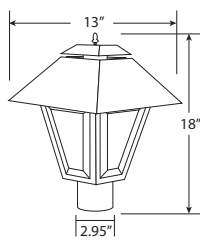
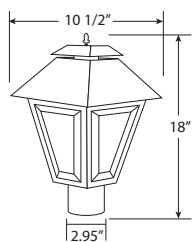


FI209



Shown With
Brass Finial

FI210



FI209 | FI210 IMPERIAL POST

- ◊ Fade & Rust Resistant Composite Construction
- ◊ UL Listed for Wet Locations
- ◊ Fits 3" Diameter Post



SEE PAGE 19 FOR POSTS

EXAMPLE # FI210-I60-BF-LWE

STYLE #	LIGHT SOURCE	BODY	DIFFUSER	OPTIONS
FI209 FI210	DEDICATED 120V LED EOS LED 120V AC, 50/60 Hz, HPF, 50,000 HRS L70, AMBIENT OP TEMP -40°C TO +40°C, 5 YEAR WARRANTY, DIMMABLE LE800 - 13W, 80 CRI >88 Lumens Per Watt** LE1200 - 14W, 80 CRI >102 Lumens Per Watt** LE1800 - 22W, 80 CRI >88 Lumens Per Watt** INCANDESCENT 120V INCANDESCENT, MEDIUM BASE, 120V I60-1 X 60W Max	B-Black W-White	ACRYLIC F-Frost	T-Brass Finial LED LAMP, 3 YEAR WARRANTY DIMMABLE LWE-A19/E26, 90CRI, 3000K LCE-A19/E26, 80CRI, 4000K

See page 122 for dimmer compatibility. Data per LM79/LM80/TM21 available upon request. **Estimated from LED source. Fixtures available with custom packaging options, assembled or knocked down. MOQs apply. Specification subject to change without notice.





FA201 | FA202 ACORNS

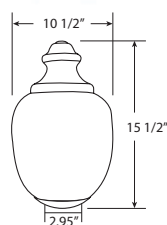
- Acorn & Fitter Included
- Fade & Rust Resistant Composite Construction
- UL Listed for Wet Locations
- Fits 3" Diameter Post



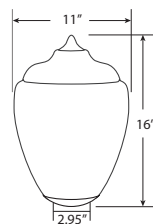
SEE PAGE 19 FOR POSTS



FA201



FA202

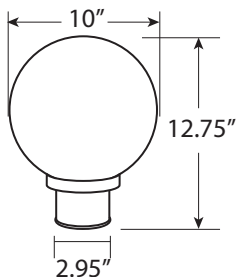


EXAMPLE # FA201-I150-BC

STYLE #	LIGHT SOURCE	BODY	DIFFUSER	OPTIONS
FA201 FA202	DEDICATED 120V LED EOS LED 120V AC, 50/60 Hz, HPF, 50,000 HRS L70, AMBIENT OP TEMP -40°C TO +40°C, 5 YEAR WARRANTY, DIMMABLE LE800 - 13W, 80 CRI >88 Lumens Per Watt** LE1200 - 14W, 80 CRI >102 Lumens Per Watt** LE1800 - 22W, 80 CRI >88 Lumens Per Watt** W-1140lm 3000K C-1280lm 4000K W-1430lm 3000K C-1500lm 4000K W-1950lm 3000K C-2130lm 4000K	B-Black W-White	ACRYLIC A-Clear Textured F-Frost Textured POLYCARBONATE C-Clear Textured POLYETHYLENE W-White Textured	N/A
	INCANDESCENT 120V INCANDESCENT, MEDIUM BASE, 120V I150-1 X 150W Max			LED LAMP, 3 YEAR WARRANTY, DIMMABLE LWE-A19/E26, 90CRI, 3000K LCE-A19/E26, 80CRI, 4000K

See page 122 for dimmer compatibility. Data per LM79/LM80/TM21 available upon request. **Estimated from LED source. Fixtures available with custom packaging options, assembled or knocked down. MOQS apply. Specification subject to change without notice.





FG210 10" GLOBE

- Fade & Rust Resistant Composite Construction
- UL Listed for Wet Locations
- Fits 3" Diameter Post



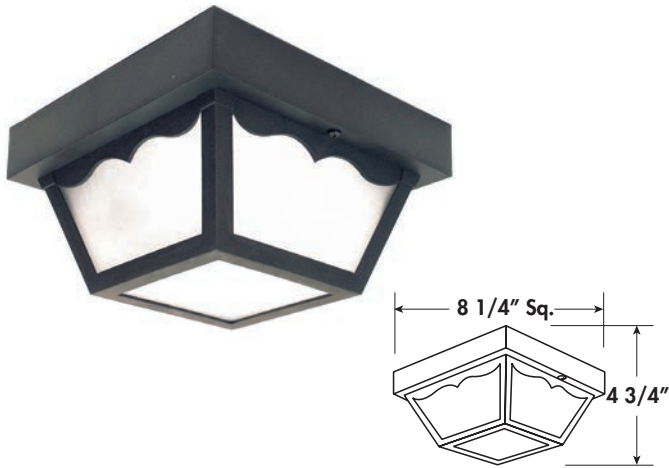
SEE PAGE 19 FOR POSTS

EXAMPLE # FG210-I100-BW-LWE

STYLE #	LIGHT SOURCE	BODY	DIFFUSER	OPTIONS
FG210	INCANDESCENT 120V INCANDESCENT, MEDIUM BASE, 120V I100-1 X 100W Max	B-Black W-White	ACRYLIC C-Clear Prism F-Frost W-White	LED LAMP, 3 YEAR WARRANTY, DIMMABLE LWE-A19/E26, 90CRI, 3000K LCE-A19/E26, 80CRI, 4000K

See page 122 for dimmer compatibility. Data per LM79/LM80/TM21 available upon request. Fixtures available with custom packaging options, assembled or knocked down. MOQs apply. Specification subject to change without notice.





FC311 RESIDENTIAL CENTURY - 8.25"

- Fade & Rust Resistant Composite Construction
- UL Listed for Damp Locations
- Polypropylene Lens & Polycarbonate Base
- Ceiling Mount Only

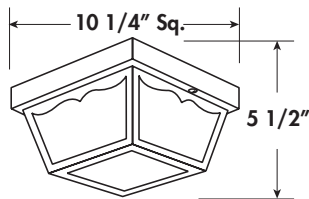


EXAMPLE # FC311-I60-BF-LWE

STYLE #	LIGHT SOURCE	BODY	DIFFUSER	OPTIONS
FC311	INCANDESCENT 120V	B-Black W-White	POLYPROPYLENE F-Frost	LED LAMP, 3 YEAR WARRANTY DIMMABLE LWE-A19/E26, 90CRI, 3000K LCE-A19/E26, 80CRI, 4000K
	INCANDESCENT, MEDIUM BASE, 120V I60-1 X 60W Max			

See page 122 for dimmer compatibility. Data per LM79/LM80/TM21 available upon request. Fixtures available with custom packaging options, assembled or knocked down. MOQS apply. Specification subject to change without notice.





FC312 RESIDENTIAL CENTURY - 10.25"

- Fade & Rust Resistant Composite Construction
- UL Listed for Damp Locations
- Polypropylene Lens & Polycarbonate Base
- Ceiling Mount Only

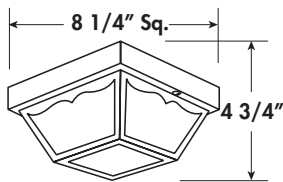


EXAMPLE # FC312-I260-BF-LWE

STYLE #	LIGHT SOURCE	BODY	DIFFUSER	OPTIONS
FC312	INCANDESCENT 120V	B-Black W-White	POLYPROPYLENE F-Frost	LED LAMP, 3 YEAR WARRANTY DIMMABLE
	INCANDESCENT, MEDIUM BASE, 120V I260-2 X 60W Max			LWE-A19/E26, 90CRI, 3000K LCE-A19/E26, 80CRI, 4000K

See page 122 for dimmer compatibility. Data per LM79/LM80/TM21 available upon request. Fixtures available with custom packaging options, assembled or knocked down. MOQS apply. Specification subject to change without notice.





FC321 COMMERCIAL CENTURY - 8.25"

- Fade & Rust Resistant Composite Construction
- UL Listed for Damp Locations
- Polypropylene Lens & Aluminum Base
- Ceiling Mount Only
- Mounting Hardware Included

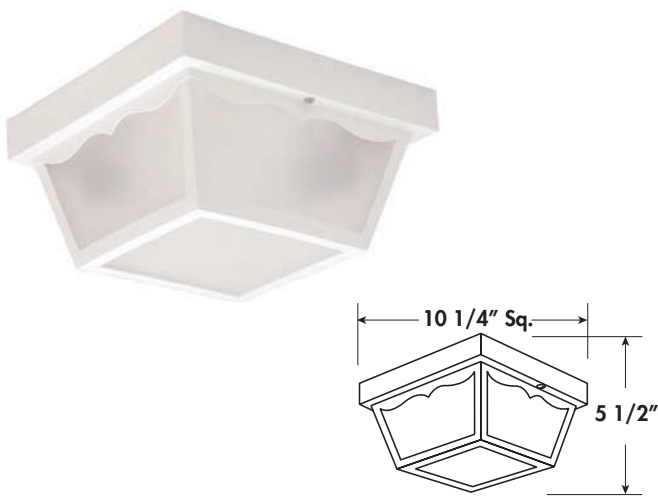


EXAMPLE # FC321-LE800C-BFP

STYLE #	LIGHT SOURCE	BODY	DIFFUSER	OPTIONS	
FC321	DEDICATED 120V LED EOS LED 120V AC, 50/60 Hz, HPF, 50,000 HRS L70, AMBIENT OP TEMP -40°C TO +40°C, 5 YEAR WARRANTY, DIMMABLE	B-Black W-White	POLYPROPYLENE F-Frost	P-Photocell 120V only. See page 18 for details. S-Security Motion Sensor & Photocell Combo. 120V only. See page 14.	
	LE800 - 13W, 80 CRI >88 Lumens Per Watt**				W-1140lm 3000K C-1280lm 4000K
	LE1200 - 14W, 80 CRI >102 Lumens Per Watt**				W-1430lm 3000K C-1500lm 4000K
FC321	MULTI-VOLT 120-277 LED MULTI-VOLT LED 120-277V, 50/60 Hz, CONSTANT CURRENT AT 700mA, DRIVER UL CLASS 2, HPF, THERMALLY PROTECTED ARRAY, 50,000 HRS L70* AMBIENT OP TEMP -40°C TO +40°C, 3 YEAR WARRANTY	B-Black W-White	POLYPROPYLENE F-Frost	S-Security Motion Sensor & Photocell Combo. See page 16.	
	L900 - 11.3W, Power Input CRI 74 (TYP) >80 Lumens Per Watt**				C-912lm 4000K

See page 122 for dimmer compatibility. Data per LM79/LM80/TM21 available upon request. **Estimated from LED source. Fixtures available with custom packaging options, assembled or knocked down. MOQs apply. Specification subject to change without notice.





FC322 COMMERCIAL CENTURY - 10.25"

- Fade & Rust Resistant Composite Construction
- UL Listed for Damp Locations
- Polypropylene Lens & Aluminum Base
- Ceiling Mount Only
- Mounting Hardware Included



EXAMPLE # FC322-LE800C-BFP

STYLE #	LIGHT SOURCE	BODY	DIFFUSER	OPTIONS	
FC322	DEDICATED 120V LED	B-Black W-White	POLYPROPYLENE F-Frost	P-Photocell 120V only. See page 18 for details. S-Security Motion Sensor & Photocell Combo. 120V only. See page 14. EB-Emergency Backup See page 123.	
	EOS LED 120V AC, 50/60 Hz, HPF, 50,000 HRS L70, AMBIENT OP TEMP -40°C TO +40°C, 5 YEAR WARRANTY, DIMMABLE				
	LE800 - 13W, 80 CRI >88 Lumens Per Watt**				W-1140lm 3000K C-1280lm 4000K
	LE1200 - 14W, 80 CRI >102 Lumens Per Watt**				W-1430lm 3000K C-1500lm 4000K
	LE1800 - 22W, 80 CRI >88 Lumens Per Watt**	W-1950lm 3000K C-2130lm 4000K			
	MULTI-VOLT 120-277 LED			S-Security Motion Sensor & Photocell Combo. See page 16.	
	MULTI-VOLT LED 120-277V, 50/60 Hz, CONSTANT CURRENT AT 700mA, DRIVER UL CLASS 2, HPF, THERMALLY PROTECTED ARRAY, 50,000 HRS L70* AMBIENT OP TEMP -40°C TO +40°C, 3 YEAR WARRANTY				
	L1800 - 22W Power Input CRI 74 (TYP) >88 Lumens Per Watt**	C-1824lm 4000K			

See page 122 for dimmer compatibility. Data per LM79/LM80/TM21 available upon request. **Estimated from LED source. Fixtures available with custom packaging options, assembled or knocked down. MOQS apply. Specification subject to change without notice.

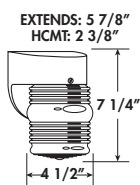




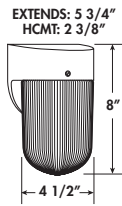
FP101 | FP103 | FP106 | FP109 FITTER NECK POCKET

- Fade & Rust Resistant Composite Construction
- UL Listed for Wet Locations
- Wall Mount Only
- Mounting Hardware Included

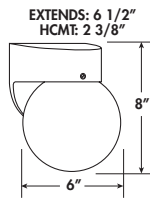
FP101



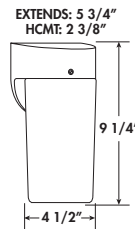
FP103



FP106



FP109



EXAMPLE # FP103-LE800C-BCP

STYLE #	LIGHT SOURCE	BODY	DIFFUSER	OPTIONS	
FP101♦ FP103 FP106 FP109	DEDICATED 120V LED	B-Black W-White	ACRYLIC C-Clear Prism W-White GLASS ♦G-Clear FP101 Only	P-Photocell 120V only. See page 18 for details. S-Security Motion Sensor & Photocell Combo. 120V only. See page 14.	
	EOS LED 120V AC, 50/60 Hz, HPF, 50,000 HRS L70, AMBIENT OP TEMP -40°C TO +40°C, 5 YEAR WARRANTY, DIMMABLE				
	LE800 - 13W, 80 CRI >88 Lumens Per Watt**			W-1140lm 3000K C-1280lm 4000K	
	MULTI-VOLT 120-277V LED				N/A
	MULTI-VOLT LED 120-277V, 50/60 Hz, CONSTANT CURRENT AT 700mA, DRIVER UL CLASS 2, HPF, THERMALLY PROTECTED ARRAY, 50,000 HRS L70* AMBIENT OP TEMP -40°C TO +40°C, 3 YEAR WARRANTY				
	L900 - 11.3W, Power Input CRI 74 (TYP) >88 Lumens Per Watt**	C-912lm 4000K			
	INCANDESCENT 120V			P-Photocell 120V only. See page 18 for details. S-Security Motion Sensor & Photocell Combo. 120V only. See page 14.	
	INCANDESCENT, MEDIUM BASE, 120V I60-1 X 60W Max			LED LAMP, 3 YEAR WARRANTY, DIMMABLE LWE-A19/E26, 90CRI, 3000K LCE-A19/E26, 80CRI, 4000K	

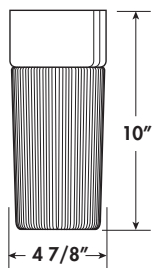
See page 122 for dimmer compatibility. ♦FP101 only available with Clear Glass diffuser (not available with other styles). Data per LM79/LM80/TM21 available upon request.
**Estimated from LED source. Fixtures available with custom packaging options, assembled or knocked down. MOQs apply. Specification subject to change without notice.



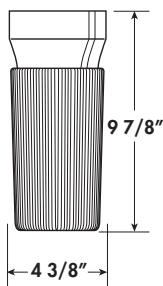


FP309 | FP319 CEILING POCKET LONG BEACH

- Fade & Rust Resistant Composite Construction
- UL Listed for Damp Locations
- Ceiling Mount Only
- Mounting Hardware Included



FP309



FP319



EXAMPLE # FP309-I60-BW-LWE

STYLE #	LIGHT SOURCE	BODY	DIFFUSER	OPTIONS
FP309	INCANDESCENT 120V	W-White	ACRYLIC	LED LAMP, 3 YEAR WARRANTY
FP319	INCANDESCENT, MEDIUM BASE, 120V	B-Black	C-Clear Prism	DIMMABLE
	I60-1 X 60W Max		W-White	LWE-A19/E26, 90CRI, 3000K
				LCE-A19/E26, 80CRI, 4000K

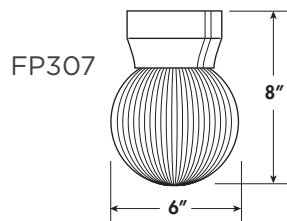
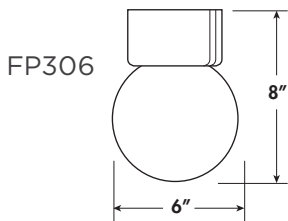
See page 122 for dimmer compatibility. Data per LM79/LM80/TM21 available upon request. Fixtures available with custom packaging options, assembled or knocked down. MOQS apply. Specification subject to change without notice.





FP306 | FP307 SCREW NECK CEILING POCKET GLOBE

- Fade & Rust Resistant Composite Construction
- UL Listed for Damp Locations
- Ceiling Mount Only
- Mounting Hardware Included

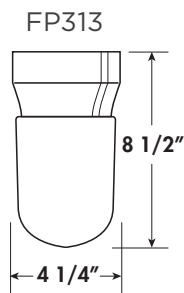
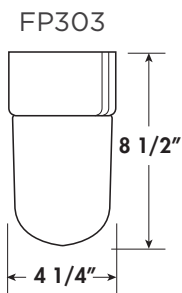


EXAMPLE # FP306-I60-BW-LWE

STYLE #	LIGHT SOURCE	BODY	DIFFUSER	OPTIONS
FP306 FP307	INCANDESCENT 120V INCANDESCENT, MEDIUM BASE, 120V I60-1 X 60W Max	B-Black W-White	ACRYLIC C-Clear Prism W-White	LED LAMP, 3 YEAR WARRANTY DIMMABLE LWE-A19/E26, 90CRI, 3000K LCE-A19/E26, 80CRI, 4000K

See page 122 for dimmer compatibility. Data per LM79/LM80/TM21 available upon request. Fixtures available with custom packaging options, assembled or knocked down. MOQS apply. Specification subject to change without notice.





FP303 | FP313 SCREW NECK CEILING POCKET HARBOR

- Fade & Rust Resistant Composite Construction
- UL Listed for Damp Locations
- Ceiling Mount Only
- Mounting Hardware Included

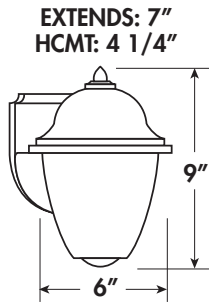


EXAMPLE # FP303-I60-BW-LWE

STYLE #	LIGHT SOURCE	BODY	DIFFUSER	OPTIONS
FP303	INCANDESCENT 120V	B-Black	ACRYLIC	LED LAMP, 3 YEAR WARRANTY
FP313	INCANDESCENT, MEDIUM BASE, 120V	W-White	C-Clear Prism	DIMMABLE
	I60-1 X 60W Max		W-White	LWE-A19/E26, 90CRI, 3000K
				LCE-A19/E26, 80CRI, 4000K

See page 122 for dimmer compatibility. Data per LM79/LM80/TM21 available upon request. Fixtures available with custom packaging options, assembled or knocked down. MOQS apply. Specification subject to change without notice.





FP123 ACORN WALL

- Fade & Rust Resistant Composite Construction
- UL Listed for Wet Locations
- Wall Mount Only
- Mounting Hardware Included



EXAMPLE # FP123-I60-BW-PLWE

STYLE #	LIGHT SOURCE	BODY	DIFFUSER	OPTIONS
FP123	DEDICATED 120V LED EOS LED 120V AC, 50/60 Hz, HPF, 50,000 HRS L70, AMBIENT OP TEMP -40°C TO +40°C, 5 YEAR WARRANTY, DIMMABLE LE800 - 13W, 80 CRI >88 Lumens Per Watt**	B-Black W-White	ACRYLIC W-White	P-Photocell 120V only. See page 18 for details.
	W-1140lm 3000K C-1280lm 4000K			N/A
	MULTI-VOLT 120-277V LED MULTI-VOLT LED 120-277V, 50/60 Hz, CONSTANT CURRENT AT 700mA, DRIVER UL CLASS 2, HPF, THERMALLY PROTECTED ARRAY, 50,000 HRS L70° AMBIENT OP TEMP -40°C TO +40°C, 3 YEAR WARRANTY L900 - 11.3W, Power Input CRI 74 (TYP) >88 Lumens Per Watt**			C-912lm 4000K
INCANDESCENT 120V INCANDESCENT, MEDIUM BASE, 120V I60-1 X 60W Max				

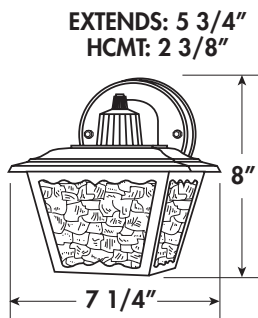
See page 122 for dimmer compatibility. Data per LM79/LM80/TM21 available upon request. **Estimated from LED source. Fixtures available with custom packaging options, assembled or knocked down. MOQs apply. Specification subject to change without notice.





FP133 BUNGALOW

- Fade & Rust Resistant Composite Construction
- UL Listed for Wet Locations
- Wall Mount Only
- Mounting Hardware Included



EXAMPLE # FP133-I60-BCP

STYLE #	LIGHT SOURCE	BODY	DIFFUSER	OPTIONS
FP133	DEDICATED 120V LED	B-Black W-White	ACRYLIC C-Clear Flemish	P-Photocell 120V only. See page 18 for details.
	EOS LED 120V AC, 50/60 Hz, HPF, 50,000 HRS L70, AMBIENT OP TEMP -40°C TO +40°C, 5 YEAR WARRANTY, DIMMABLE LE800 - 13W, 80 CRI W-1140lm 3000K >88 Lumens Per Watt** C-1280lm 4000K			
FP133	INCANDESCENT 120V	B-Black W-White	ACRYLIC C-Clear Flemish	P-Photocell 120V only. See page 18 for details. LED LAMP, 3 YEAR WARRANTY, DIMMABLE LWE-A19/E26, 90CRI, 3000K LCE-A19/E26, 80CRI, 4000K
	INCANDESCENT, MEDIUM BASE, 120V I60-1 X 60W Max			

See page 122 for dimmer compatibility. Data per LM79/LM80/TM21 available upon request. **Estimated from LED source. Fixtures available with custom packaging options, assembled or knocked down. MOQs apply. Specification subject to change without notice.





INTER·GLOBAL®

1.800.325.7364 sales@interglobal-inc.com
www.interglobal-inc.com

INDOOR FIXTURES

- LED & Incandescent
- 120V & Multivolt Options
- 80CRI & 90CRI Models
- Wall & Ceiling
- Motion Sensor Options
- Dimmable Models
- Pendant Kit Options

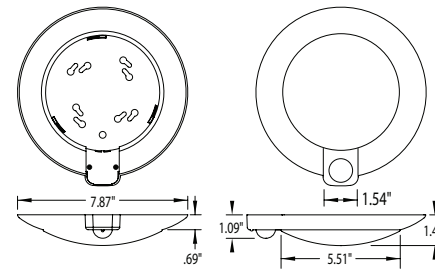
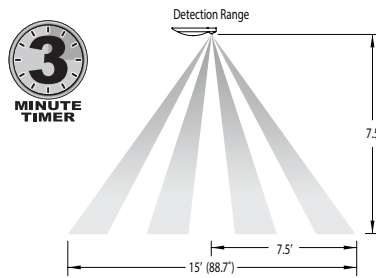


FD384 DESIGNER CLOSET

- Electronic Dimmable LED (120V Only)
- Composite Construction
- ETL Listed for Dry Locations
- Occupancy Sensor w/Indicator Light
- 3 Minute Timer



TOP VIEW

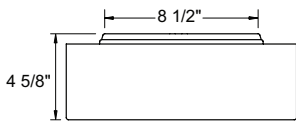


EXAMPLE # FD384-LT800W-WFM

STYLE #	LIGHT SOURCE	BODY	DIFFUSER	
FD384	DEDICATED 120V LED	W-White	POLYCARBONATE	M-Motion Sensor Motion Sensor Included Standard. 120V only.
	EOS LED 120V AC, 50/60 Hz, HPF, 50,000 HRS L70, AMBIENT OP TEMP -40°C TO +40°C, 5 YEAR WARRANTY, DIMMABLE			
	LOW FLICKER 90 CRI			
	LT800 - 12W, 90 CRI >85 Lumens Per Watt**	W-1020lm 3000K		

See page 122 for dimmer compatibility. Data per LM79/LM80/TM21 available upon request. **Estimated from LED source. Fixtures available with custom packaging options. MOQs apply. Specification subject to change without notice.





Shown With
Pendant Kit
6" or 13"
Lengths Available

FM300 MALIBU

- ◊ Electronic Dimmable LED (120V Only)
- ◊ UL Listed for Damp Locations
- ◊ Direct/Indirect Light
- ◊ Ceiling or Pendant Mount



EXAMPLE # FM300-LE1200W-NWM

STYLE #	LIGHT SOURCE	BODY	DIFFUSER	OPTIONS	
FM300	DEDICATED 120V LED	N-Brushed Nickel	ACRYLIC W-White	M -Motion Sensor 120V only. See page 16. D -6"/13" Pendant Kit (KIT-FM302) EB -Emergency Backup See page 123.	
	EOS LED 120V AC, 50/60 Hz, HPF, 50,000 HRS L70, AMBIENT OP TEMP -40°C TO +40°C, 5 YEAR WARRANTY, DIMMABLE				
	LE1200 - 14W, 80 CRI >102 Lumens Per Watt**				W -1430lm 3000K C -1500lm 4000K
	LE1800 - 22W, 80 CRI >88 Lumens Per Watt**				W -1950lm 3000K C -2130lm 4000K
	LE2600 - 32W, 80 CRI >84 Lumens Per Watt**				W -2700lm 3000K C -2750lm 4000K
	DEDICATED 120V LED - LOW FLICKER 90 CRI				
	LT1200 - 16W, 90 CRI >86 Lumens Per Watt**				W -1370lm 3000K C -1400lm 4000K
	LT1800 - 24W, 90 CRI >82 Lumens Per Watt**				W -1980lm 3000K C -2020lm 4000K
	LT2600 - 31W, 90 CRI >90 Lumens Per Watt**				W -2750lm 3000K C -2850lm 4000K
	INCANDESCENT 120V				
INCANDESCENT, MEDIUM BASE, 120V					
I240-2 X 40W Max					

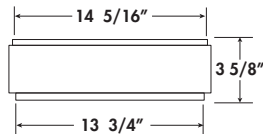
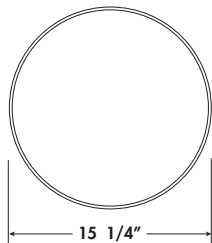
See page 122 for dimmer compatibility. Data per LM79/LM80/TM21 available upon request. **Estimated from LED source. Fixtures available with custom packaging options. MOQs apply. Specification subject to change without notice.





Shown With
Pendant Kit

6" or 13"
Lengths Available



FD315 DECORATIVE DRUM

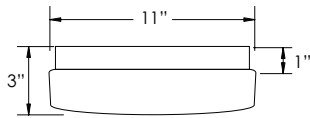
- Electronic Dimmable LED (120V Only)
- ETL Listed for Damp Locations
- Brushed Nickel Decorative Band
- Ceiling or Pendant Mount

EXAMPLE # FD315-L1500W-NW

STYLE #	LIGHT SOURCE	BODY	DIFFUSER	OPTIONS
FD315	DEDICATED 120V LED EOS LED 120V AC, 50/60 Hz, HPF, 50,000 HRS L70, AMBIENT OP TEMP -40°C TO +40°C 5 YEAR WARRANTY, DIMMABLE L1500 - 24W, 80 CRI W-1850lm 3000K >77 Lumens Per Watt**	N-Brushed Nickel	ACRYLIC W-White	D-6"/13" Pendant Kit (KIT-FM302)

See page 122 for dimmer compatibility. Data per LM79/LM80/TM21 available upon request. **Estimated from LED source. Fixtures available with custom packaging options. MOQs apply. Specification subject to change without notice.





FD311 DRUM 11"

- Electronic Dimmable LED (120V only)
- UL Listed for Damp Locations
- Ceiling or Wall Mount

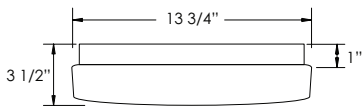


EXAMPLE # FD311-LE800W-WWM

STYLE #	LIGHT SOURCE	BODY	DIFFUSER	OPTIONS	
FD311	DEDICATED 120V LED	ALUMINUM W-White	ACRYLIC W-White	M -Motion Sensor 120V only. See page 16.	
	EOS LED 120V AC, 50/60 Hz, HPF, 50,000 HRS L70, AMBIENT OP TEMP -40°C TO +40°C, 5 YEAR WARRANTY, DIMMABLE				
	LE800 - 13W, 80 CRI >88 Lumens Per Watt**				W -1020lm 3000K C -1280lm 4000K
	LE1200 - 14W, 80 CRI >102 Lumens Per Watt**				W -1430lm 3000K C -1500lm 4000K
	LE1800 - 22W, 80 CRI >88 Lumens Per Watt**				W -1950lm 3000K C -2130lm 4000K
	DEDICATED 120V LED - LOW FLICKER 90 CRI				
	LT800 - 12W, 90 CRI >85 Lumens Per Watt**				W -1020lm 3000K C -1040lm 4000K
	LT1200 - 16W, 90 CRI >86 Lumens Per Watt**				W -1370lm 3000K C -1400lm 4000K
	LT1800 - 24W, 90 CRI >82 Lumens Per Watt**				W -1980lm 3000K C -2020lm 4000K
	MULTI-VOLT 120-277V LED				MULTI-VOLT LED 120-277V, 50/60 Hz, CONSTANT CURRENT AT 700mA, DRIVER UL CLASS 2, HPF, THERMALLY PROTECTED ARRAY, 50,000 HRS L70* AMBIENT OP TEMP -40°C TO +40°C, 3 YEAR WARRANTY
L1300 - 17W, 80 CRI >75 Lumens Per Watt**	W -1278lm 3000K				
INCANDESCENT 120V					
	INCANDESCENT, MEDIUM BASE, 120V				
	I40-1 X 40W Max				

See page 122 for dimmer compatibility. Data per LM79/LM80/TM21 available upon request. **Estimated from LED source. Fixtures available with custom packaging options. MOQs apply. Specification subject to change without notice.





FD314 DRUM 14''

- ◊ Electronic Dimmable LED (120V only)
- ◊ UL Listed for Damp Locations
- ◊ Ceiling or Wall Mount

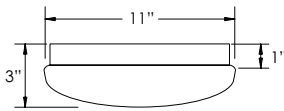


EXAMPLE # FD314-I240-WW-LWE

STYLE #	LIGHT SOURCE	BODY	DIFFUSER	OPTIONS	
FD314	DEDICATED 120V LED	ALUMINUM W-White	ACRYLIC W-White	M -Motion Sensor 120V only. See page 16. EB -Emergency Backup See page 123.	
	EOS LED 120V AC, 50/60 Hz, HPF, 50,000 HRS L70, AMBIENT OP TEMP -40°C TO +40°C, 5 YEAR WARRANTY, DIMMABLE				
	LE1200 - 14W, 80 CRI >102 Lumens Per Watt**				W -1430lm 3000K C -1500lm 4000K
	LE1800 - 22W, 80 CRI >88 Lumens Per Watt**				W -1950lm 3000K C -2130lm 4000K
	LE2600 - 32W, 80 CRI >84 Lumens Per Watt**				W -2700lm 3000K C -2750lm 4000K
	DEDICATED 120V LED - LOW FLICKER 90 CRI				
	LT1200 - 16W, 90 CRI >86 Lumens Per Watt**				W -1370lm 3000K C -1400lm 4000K
	LT1800 - 24W, 90 CRI >82 Lumens Per Watt**				W -1980lm 3000K C -2020lm 4000K
	LT2600 - 31W, 90 CRI >90 Lumens Per Watt**				W -2750lm 3000K C -2850lm 4000K
	MULTI-VOLT 120-277V LED				MULTI-VOLT LED 120-277V, 50/60 Hz, CONSTANT CURRENT AT 700mA, DRIVER UL CLASS 2, HPF, THERMALLY PROTECTED ARRAY, 50,000 HRS L70* AMBIENT OP TEMP -40°C TO +40°C, 3 YEAR WARRANTY
L1700 - 22W, 80 CRI >82 Lumens Per Watt**	W -1704lm 3000K C -1824lm 4000K				
INCANDESCENT 120V					
	INCANDESCENT, MEDIUM BASE, 120V				
	I240-2 X 40W Max				

See page 122 for dimmer compatibility. Data per LM79/LM80/TM21 available upon request. **Estimated from LED source. Fixtures available with custom packaging options. MOQs apply. Specification subject to change without notice.





FD321 MUSHROOM 11''

- Electronic Dimmable LED (120V only)
- UL Listed for Damp Locations
- Ceiling or Wall Mount



EXAMPLE # FD321-LE800W-WWM

STYLE #	LIGHT SOURCE	BODY	DIFFUSER	OPTIONS	
FD321	DEDICATED 120V LED	ALUMINUM W-White	ACRYLIC W-White	M-Motion Sensor 120V only. See page 16.	
	EOS LED 120V AC, 50/60 Hz, HPF, 50,000 HRS L70, AMBIENT OP TEMP -40°C TO +40°C, 5 YEAR WARRANTY, DIMMABLE				
	LE800 - 13W, 80 CRI >88 Lumens Per Watt**				W-1020lm 3000K C-1280lm 4000K
	LE1200 - 14W, 80 CRI >102 Lumens Per Watt**				W-1430lm 3000K C-1500lm 4000K
	LE1800 - 22W, 80 CRI >88 Lumens Per Watt**				W-1950lm 3000K C-2130lm 4000K
	DEDICATED 120V LED - LOW FLICKER 90 CRI				
	LT800 - 12W, 90 CRI >85 Lumens Per Watt**				W-1020lm 3000K C-1040lm 4000K
	LT1200 - 16W, 90 CRI >86 Lumens Per Watt**				W-1370lm 3000K C-1400lm 4000K
	LT1800 - 24W, 90 CRI >82 Lumens Per Watt**				W-1980lm 3000K C-2020lm 4000K
	MULTI-VOLT 120-277V LED				
MULTI-VOLT LED 120-277V, 50/60 Hz, CONSTANT CURRENT AT 700mA, DRIVER UL CLASS 2, HPF, THERMALLY PROTECTED ARRAY, 50,000 HRS L70* AMBIENT OP TEMP -40°C TO +40°C, 3 YEAR WARRANTY					
L1300 - 17W, 80 CRI >75 Lumens Per Watt**	W-1278lm 3000K				
INCANDESCENT 120V					
INCANDESCENT, MEDIUM BASE, 120V					
I40-1 X 40W Max					
				LED LAMP, 3 YEAR WARRANTY, DIMMABLE LWE-A19/E26, 90CRI, 3000K LCE-A19/E26, 80CRI, 4000K	

See page 122 for dimmer compatibility. Data per LM79/LM80/TM21 available upon request. **Estimated from LED source. Fixtures available with custom packaging options. MOQs apply. Specification subject to change without notice.





FD324 MUSHROOM 14''

- ◊ Electronic Dimmable LED (120V only)
- ◊ UL Listed for Damp Locations
- ◊ Ceiling or Wall Mount

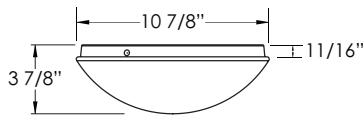


EXAMPLE # FD324-I240-WW-LWE

STYLE #	LIGHT SOURCE	BODY	DIFFUSER	OPTIONS	
FD324	DEDICATED 120V LED	ALUMINUM W-White	ACRYLIC W-White	M -Motion Sensor 120V only. See page 16. EB -Emergency Backup See page 123.	
	EOS LED 120V AC, 50/60 Hz, HPF, 50,000 HRS L70, AMBIENT OP TEMP -40°C TO +40°C, 5 YEAR WARRANTY, DIMMABLE				
	LE1200 - 14W, 80 CRI >102 Lumens Per Watt**				W -1430lm 3000K C -1500lm 4000K
	LE1800 - 22W, 80 CRI >88 Lumens Per Watt**				W -1950lm 3000K C -2130lm 4000K
	LE2600 - 32W, 80 CRI >84 Lumens Per Watt**				W -2700lm 3000K C -2750lm 4000K
	DEDICATED 120V LED - LOW FLICKER 90 CRI				
	LT1200 - 16W, 90 CRI >86 Lumens Per Watt**				W -1370lm 3000K C -1400lm 4000K
	LT1800 - 24W, 90 CRI >82 Lumens Per Watt**				W -1980lm 3000K C -2020lm 4000K
	LT2600 - 31W, 90 CRI >90 Lumens Per Watt**				W -2750lm 3000K C -2850lm 4000K
	MULTI-VOLT 120-277V LED				MULTI-VOLT LED 120-277V, 50/60 Hz, CONSTANT CURRENT AT 700mA, DRIVER UL CLASS 2, HPF, THERMALLY PROTECTED ARRAY, 50,000 HRS L70* AMBIENT OP TEMP -40°C TO +40°C, 3 YEAR WARRANTY
L1700 - 22W, 80 CRI >82 Lumens Per Watt**	W -1704lm 3000K C -1824lm 4000K				
INCANDESCENT 120V					
INCANDESCENT, MEDIUM BASE, 120V					
I240-2 X 40W Max					

See page 122 for dimmer compatibility. Data per LM79/LM80/TM21 available upon request. **Estimated from LED source. Fixtures available with custom packaging options. MOQs apply. Specification subject to change without notice.





FD331 DOME 11''

- Electronic Dimmable LED (120V only)
- UL Listed for Damp Locations
- Ceiling or Wall Mount

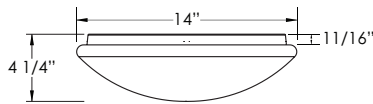


EXAMPLE # FD331-LE800W-WWM

STYLE #	LIGHT SOURCE	BODY	DIFFUSER	OPTIONS	
FD331	DEDICATED 120V LED	ALUMINUM W-White	ACRYLIC W-White	M-Motion Sensor 120V only. See page 16. LE800 & LT800 Models Only.	
	EOS LED 120V AC, 50/60 Hz, HPF, 50,000 HRS L70, AMBIENT OP TEMP -40°C TO +40°C, 5 YEAR WARRANTY, DIMMABLE				
	LE800 - 13W, 80 CRI >88 Lumens Per Watt**				W-1020lm 3000K C-1280lm 4000K
	LE1200 - 14W, 80 CRI >102 Lumens Per Watt**				W-1430lm 3000K C-1500lm 4000K
	LE1800 - 22W, 80 CRI >88 Lumens Per Watt**				W-1950lm 3000K C-2130lm 4000K
	DEDICATED 120V LED - LOW FLICKER 90 CRI				
	LT800 - 12W, 90 CRI >85 Lumens Per Watt**				W-1020lm 3000K C-1040lm 4000K
	LT1200 - 16W, 90 CRI >86 Lumens Per Watt**				W-1370lm 3000K C-1400lm 4000K
	LT1800 - 24W, 90 CRI >82 Lumens Per Watt**				W-1980lm 3000K C-2020lm 4000K
	MULTI-VOLT 120-277V LED				
MULTI-VOLT LED 120-277V, 50/60 Hz, CONSTANT CURRENT AT 700mA, DRIVER UL CLASS 2, HPF, THERMALLY PROTECTED ARRAY, 50,000 HRS L70* AMBIENT OP TEMP -40°C TO +40°C, 3 YEAR WARRANTY					
L1300 - 17W, 80 CRI >75 Lumens Per Watt**	W-1278lm 3000K				
INCANDESCENT 120V					
INCANDESCENT, MEDIUM BASE, 120V					
I40-1 X 40W Max					
				LED LAMP, 3 YEAR WARRANTY, DIMMABLE LWE-A19/E26, 90CRI, 3000K LCE-A19/E26, 80CRI, 4000K	

See page 122 for dimmer compatibility. Data per LM79/LM80/TM21 available upon request. **Estimated from LED source. Fixtures available with custom packaging options. MOQs apply. Specification subject to change without notice.





FD334 DOME 14"

- ◊ Electronic Dimmable LED (120V only)
- ◊ UL Listed for Damp Locations
- ◊ Ceiling or Wall Mount



EXAMPLE # FD334-I240-WW-LWE

STYLE #	LIGHT SOURCE	BODY	DIFFUSER	OPTIONS
FD334	DEDICATED 120V LED EOS LED 120V AC, 50/60 Hz, HPF, 50,000 HRS L70, AMBIENT OP TEMP -40°C TO +40°C, 5 YEAR WARRANTY, DIMMABLE	ALUMINUM W-White	ACRYLIC W-White	M-Motion Sensor 120V only. See page 16..
	LE1200 - 14W, 80 CRI >102 Lumens Per Watt**	W-1430lm 3000K C-1500lm 4000K		
	LE1800 - 22W, 80 CRI >88 Lumens Per Watt**	W-1950lm 3000K C-2130lm 4000K		
	LE2600 - 32W, 80 CRI >84 Lumens Per Watt**	W-2700lm 3000K C-2750lm 4000K		
	DEDICATED 120V LED - LOW FLICKER 90 CRI			
	LT1200 - 16W, 90 CRI >86 Lumens Per Watt**	W-1370lm 3000K C-1400lm 4000K		
	LT1800 - 24W, 90 CRI >82 Lumens Per Watt**	W-1980lm 3000K C-2020lm 4000K		
	LT2600 - 31W, 90 CRI >90 Lumens Per Watt**	W-2750lm 3000K C-2850lm 4000K		
	MULTI-VOLT 120-277V LED			
	MULTI-VOLT LED 120-277V, 50/60 Hz, CONSTANT CURRENT AT 700mA, DRIVER UL CLASS 2, HPF, THERMALLY PROTECTED ARRAY, 50,000 HRS L70* AMBIENT OP TEMP -40°C TO +40°C, 3 YEAR WARRANTY			
	L1700 - 22W, 80 CRI >82 Lumens Per Watt**	W-1704lm 3000K C-1824lm 4000K		
	INCANDESCENT 120V			
	INCANDESCENT, MEDIUM BASE, 120V			
	I240-2 X 40W Max			LED LAMP, 3 YEAR WARRANTY, DIMMABLE LWE-A19/E26, 90CRI, 3000K LCE-A19/E26, 80CRI, 4000K

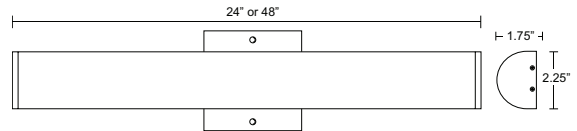
See page 122 for dimmer compatibility. Data per LM79/LM80/TM21 available upon request. **Estimated from LED source. Fixtures available with custom packaging options. MOQs apply. Specification subject to change without notice.





DHS2 | DHS4 DEDICATED LED DHS-SERIES VANITY STRIPS

- White Acrylic Diffuser
- ETL Listed for Damp Locations
- Wall Mount Only
- Triac Dimmable



EXAMPLE # DHS2-L25W-W

STYLE #	DESCRIPTION	DIFFUSER
DHS2 - 24"	120V DEDICATED LED	ACRYLIC W-White
DHS4 - 48"	25,000 HRS, 3 YEAR WARRANTY	
	L25 -25W, 80 CRI W-1700lm 3000K	
	L45 -45W, 80 CRI W-3000lm 3000K	

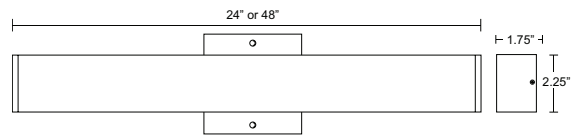
Fixtures available with custom packaging options. MOQs apply. Specification subject to change without notice.





DSQ2 | DSQ4 DEDICATED LED DSQ-SERIES VANITY STRIPS

- White Acrylic Diffuser
- ETL Listed for Damp Locations
- Wall Mount Only
- Triac Dimmable



EXAMPLE # DSQ2-L25W-W

STYLE #	DESCRIPTION	DIFFUSER
DSQ2 - 24" DSQ4 - 48"	120V DEDICATED LED 25,000 HRS, 3 YEAR WARRANTY L25 -25W, 80 CRI W -1700lm 3000K L45 -45W, 80 CRI W -3000lm 3000K	ACRYLIC W-White

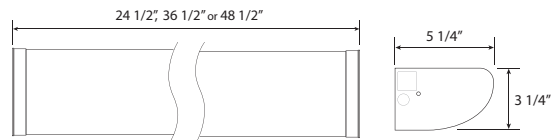
Fixtures available with custom packaging options. MOQs apply. Specification subject to change without notice.





HS2 | HS3 | HS4 HS-SERIES VANITY STRIPS

- White Acrylic Diffuser with Chrome End Caps
- UL Listed for Damp Locations
- Lamps Included
- Ceiling or Wall Mount
- Non-Dimming



EXAMPLE # HS2-217T8W-LED

STYLE #	DESCRIPTION	
HS2 - 24 1/2"	MULTI-VOLT 120-277V LED	W-LED - 3000K LED Lamp Included
HS3 - 36 1/2"	25,000 HRS, 3 YEAR WARRANTY	
HS4 - 48 1/2"	217T8 - 2 x L17T8 9W LED Lamps, 1800lm, 80 CRI	
	225T8 - 2 x L25T8 13W LED Lamps, 2600lm, 80 CRI	
	232T8 - 2 x L32T8 18W LED Lamps, 3600lm, 80 CRI	

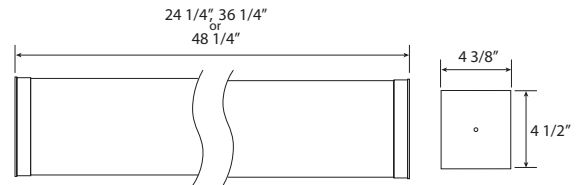
Fixtures available with custom packaging options. MOQS apply. Specification subject to change without notice.





SQ2 | SQ3 | SQ4 SQ-SERIES VANITY STRIPS

- White Acrylic Diffuser with White End Caps
- UL Listed for Damp Locations
- Lamps Included
- Ceiling or Wall Mount
- Non-Dimming



EXAMPLE # SQ2-217T8C-LED

STYLE #	DESCRIPTION	
SQ2 - 24 1/2"	MULTI-VOLT 120-277V LED 25,000 HRS, 3 YEAR WARRANTY 217T8 - 2 x L17T8 9W LED Lamps, 1800lm, 80 CRI 225T8 - 2 x L25T8 13W LED Lamps, 2600lm, 80 CRI 232T8 - 2 x L32T8 18W LED Lamps, 3600lm, 80 CRI	W-LED - 3000K LED Lamp Included
SQ3 - 36 1/2"		
SQ4 - 48 1/2"		

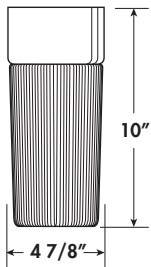
Fixtures available with custom packaging options. MOQS apply. Specification subject to change without notice.



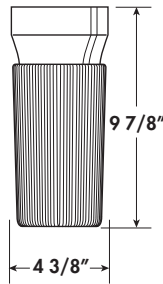


FP309 | FP319 CEILING POCKET LONG BEACH

- Fade & Rust Resistant Composite Construction
- UL Listed for Wet Locations
- Ceiling Mount Only
- Mounting Hardware Included



FP309



FP319



EXAMPLE # FP309-I60-BW-LWE

STYLE #	LIGHT SOURCE	BODY	DIFFUSER	OPTIONS
FP309	INCANDESCENT 120V	W-White	ACRYLIC	LED LAMP, 3 YEAR WARRANTY
FP319	INCANDESCENT, MEDIUM BASE, 120V	B-Black	C-Clear Prism	DIMMABLE
	I60-1 X 60W Max		W-White	LWE-A19/E26, 90CRI, 3000K
				LCE-A19/E26, 80CRI, 4000K

See page 122 for dimmer compatibility. Data per LM79/LM80/TM21 available upon request. Fixtures available with custom packaging options, assembled or knocked down. MOQS apply. Specification subject to change without notice.



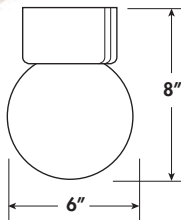


FP306 | FP307 SCREW NECK CEILING POCKET GLOBE

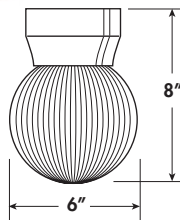
- Fade & Rust Resistant Composite Construction
- UL Listed for Damp Locations
- Ceiling Mount Only
- Mounting Hardware Included



FP306



FP307



EXAMPLE # FP306-I60-BW-LWE

STYLE #	LIGHT SOURCE	BODY	DIFFUSER	OPTIONS
FP306	INCANDESCENT 120V	B-Black	ACRYLIC	LED LAMP, 3 YEAR WARRANTY
FP307	INCANDESCENT, MEDIUM BASE, 120V	W-White	C-Clear Prism	DIMMABLE
	I60-1 X 60W Max		W-White	LWE-A19/E26, 90CRI, 3000K
				LCE-A19/E26, 80CRI, 4000K

See page 122 for dimmer compatibility. Data per LM79/LM80/TM21 available upon request. Fixtures available with custom packaging options, assembled or knocked down. MOQS apply. Specification subject to change without notice.



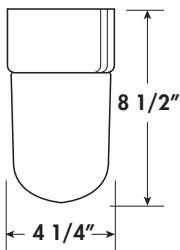


FP303 | FP313 SCREW NECK CEILING POCKET HARBOR

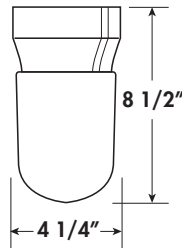
- Fade & Rust Resistant Composite Construction
- UL Listed for Damp Locations
- Ceiling Mount Only
- Mounting Hardware Included



FP303



FP313



EXAMPLE # FP303-I60-BW-LWE

STYLE #	LIGHT SOURCE	BODY	DIFFUSER	OPTIONS
FP303	INCANDESCENT 120V	B-Black	ACRYLIC	LED LAMP, 3 YEAR WARRANTY
FP313	INCANDESCENT, MEDIUM BASE, 120V	W-White	C-Clear Prism	DIMMABLE
	I60-1 X 60W Max		W-White	LWE-A19/E26, 90CRI, 3000K
				LCE-A19/E26, 80CRI, 4000K

See page 122 for dimmer compatibility. Data per LM79/LM80/TM21 available upon request. Fixtures available with custom packaging options, assembled or knocked down. MOQS apply. Specification subject to change without notice.



Compatible Dimmer List

Inter-Global's 120V LED Lamps and arrays were tested for compatibility with the below listed dimmers. The below compatibility chart can be used for guidance when selecting a dimmer and LED Lamp combination. Dimmers that do not appear on the chart may be compatible but have not been tested. Criteria includes level of dimmability and amount dimmer limits LED efficacy at dimmers 100% setting. Contact sales with questions.

All testing has been performed with a stable main supply. The quality of the existing installation and wiring may affect dimming performance. Since no assurance can be provided regarding these factors, it is a general recommendation to perform a test on site prior to installing LED Lamps.

Dimmer Compatibility Reference Key:

1 Best
2 Better
3 Good
X Non-Compatible

Dimmer Manufacturer/ Model #	80CRI ARRAY				LOW FLICKER - 90CRI ARRAY				A19/E26
	L08-AC120R (LE800)	L12-AC120R (LE1200)	L18-AC120R (LE1800)	L26-AC120-7R (LE2600)	L08-AC120-2R9C (LT800)	L12-AC120-5R9C (LT1200)	L18-AC120-5R9C (LT1800)	L26-AC120-7R9C (LT2600)	LCE/LWE
LUTRON SELV-303P-WH	3	3	3	3	1	1	1	1	X
LUTRON S-600H-WH	1	1	1	1	X	X	X	X	X
LUTRON LG-603PH-AL	1	1	1	1	X	X	X	X	X
LEVITON IPL06-10Z	3	3	3	3	3	3	3	X	1
LUTRON NTLV-600	3	3	3	3	3	3	3	3	X
LEVITON 6631-LW	1	1	1	1	1	1	1	1	X
LUTRON CTC2-153P	1	1	X	X	2	3	3	X	X
LUTRON DVCL-153P	3	3	3	X	2	X	2	X	1
LUTRON TTC9-153P	X	X	X	X	3	3	3	X	X
LUTRON DIVA DVCL-153P	1	1	1	1	2	3	3	X	1
LUTRON MA-600-WH	3	3	3	3	X	X	X	X	X
LEVITON DECORA 6672	3	3	3	1	3	3	3	3	1
LEVITON 6674	3	1	1	1	3	3	X	X	1
LUTRON DV6200P-WH	1	1	1	1	X	X	X	X	X
LUTRON SKYLARK S-600P	1	1	1	1	X	X	X	X	X
LUTRON SKYLARK SELV-300P	3	3	3	3	1	1	1	1	X

EMERGENCY BACKUP INFORMATION



EB - EMERGENCY BACKUP

- 135 Min. of Emergency Backup LED
- Test Switch/LED Charge Indicator
- 4W LED Backup Array
- NiCd, 3.6 VDC Battery
- 24hr Recharge Time
- Ambient Temp: 0°C to + 40°C
- 5yr Warranty

OUTDOOR FIXTURES EMERGENCY BACKUP OPTIONS



FK391



FK395



FL371



FL372



FC322



FE361



FS323

INDOOR FIXTURES EMERGENCY BACKUP OPTIONS



FD314



FD324



FM300

VISUAL INDEX

ELECTRICAL COMPONENTS



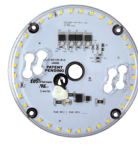
10W ARRAY
PG 4



13W ARRAY
PG 5



90CRI 12W
ARRAY PG 6



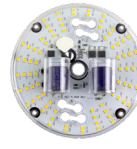
14W ARRAY
PG 7



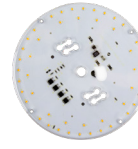
90CRI 16W
ARRAY PG 8



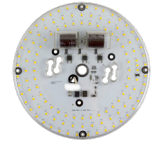
22W ARRAY
PG 9



90CRI 24W
ARRAY PG 10



32W ARRAY
PG 11



90CRI 31W
ARRAY PG 12



3.5" DIA PUCK
HEAT SINK
PG 13



6" DIA PUCK
HEAT SINK
PG 13



10" ROUND
HEAT SINK
PG 13



6" SQUARE
HEAT SINK
PG 13



8" SQUARE
HEAT SINK
PG 13



120V PHOTOCELL
MOTION SENSOR
PG 14



MULTI-V PHOTOCELL
MOTION SENSOR
PG 16



DUSK TO
DAWN SWITCH
PG 18

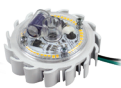


RESI
POSTS
PG 19

RETROFIT KITS



PUCK 3.5
PG 22



90 CRI 3.5
PG 23



PUCK 6
PG 24



90 CRI 6
PG 25



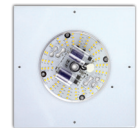
RESI 6
PG 26



90CRI RESI 6
PG 27



RESI 8
PG 28



90CRI RESI 8
PG 29



RESI 10
PG 30



90CRI RESI 10
PG 31

OUTDOOR FIXTURES



LUNAR
PG 33



LUNAR
PG 33



SENTINEL
SHORT PG 34



SENTINEL
LONG PG 34



SENTINEL
10.5" PG 35



PROTEK
PG 36



PROTEK
PG 36



DESIGNER
WALL PG 37



DESIGNER
POST PG 38



HORIZON
WALL PG 39



HORIZON
POST PG 40



HIGHLAND
SMALL PG 41



HIGHLAND
LARGE PG 42



HIGHLAND
POST PG 43



HUTTON
SMALL PG 44



HUTTON
LARGE PG 45



HUTTON
POST PG 46



STAGECOACH
PG 47



ASTON
PG 48



MARTIN
PG 49



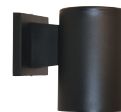
SHEPARD
BELLE PG 50



BELLE
PG 51



DIRECT/INDIRECT
CYLINDER PG 52



TURTLE & DARK
SKY PG 53



TURTLE & DARK
SKY PG 54



NAUTICAL
PG 55



NAUTICAL
PG 56

VISUAL INDEX

OUTDOOR FIXTURES



NAUTICAL
PG 57



NAUTICAL
PG 58



EUROSTYLE
PGS 59 & 60



EUROSTYLE
PGS 59 & 60



EUROSTYLE
PGS 59 & 61



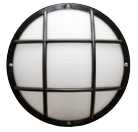
EUROSTYLE
PGS 59 & 61



EUROSTYLE
PGS 62 & 63



EUROSTYLE
PGS 62 & 64



EUROSTYLE
PGS 62 & 65



AMHERST
WALL PG 66



AMHERST
WALL PG 66



AMHERST
POST PG 67



AMHERST
WALL PG 68



AMHERST
WALL PG 68



BRADFORD
WALL PG 69



BRADFORD
WALL PG 69



BRADFORD
POST PG 70



HATCH
WALL PG 71



HATCH
WALL PG 71



HATCH
WALL PG 71



HATCH
POST PG 72



GLOBE
WALL PG 73



GLOBE
WALL PG 73



CAMBRIDGE
WALL PG 74



CAMBRIDGE
WALL PG 74



CAMBRIDGE
POST PG 75



PRINCETON
WALL PG 76



PRINCETON
WALL PG 76



PRINCETON
POST PG 77



COLONIAL
WALL PG 78



COLONIAL
WALL PG 78



COLONIAL
POST PG 79



COLONIAL
WALL PG 80



COLONIAL
WALL PG 80



COLONIAL
POST PG 81



TUDOR
WALL PG 82



TUDOR
POST PG 83



TUDOR
WALL PG 84



TUDOR
POST PG 85



TUDOR
WALL PG 86



TUDOR
POST PG 87



IMPERIAL
POST PG 88



IMPERIAL
POST PG 88



ACORN
POST PG 89



ACORN
POST PG 89



GLOBE
POSTS PG 90



GLOBE 10"
PG 91



OCTAGON
PG 92



8.25" CENTURY
PG 93 & 94



10.25" CENTURY
PG 95 & 96



JELLY JAR
PG 97



HARBOR
PG 97



GLOBE FITTER
NECK PG 97



LONG BEACH
FITTER PG 97



LONG BEACH
POCKET
PG 98



LONG BEACH
POCKET
PG 98



GLOBE
POCKET
PG 99



GLOBE
POCKET
PG 99



HARBOR
POCKET
PG 100



HARBOR
POCKET
PG 100



ACORN
WALL
PG 101



COTTAGE
WALL
PG 102



BUNGALOW
WALL
PG 103



DECO
AREA
PG 104

VISUAL INDEX

INDOOR FIXTURES



Inter-Global's BAA, Buy American Act Compliant Fixtures Icon.

CROWN[®]
PLASTICS

918 AIRPORT ROAD, FESTUS, MO 63028
1.800.304.6463 www.crownplastic.com



Visit Crown Plastics, our molding division for lighting enclosures and blow molded parts.

[VISIT WEBSITE](#)